

Schmied



**PRODUCT SPECIFICATIONS**

WC Sensor (AC & DC) With Manual  
Override Button, LED Light

Dimension: 128mm X 128mm

Material: Hairline 304 Stainless Steel

Working power: AC220V/DC6V

Water Pressure: 0.05Mpa-0.7Mpa

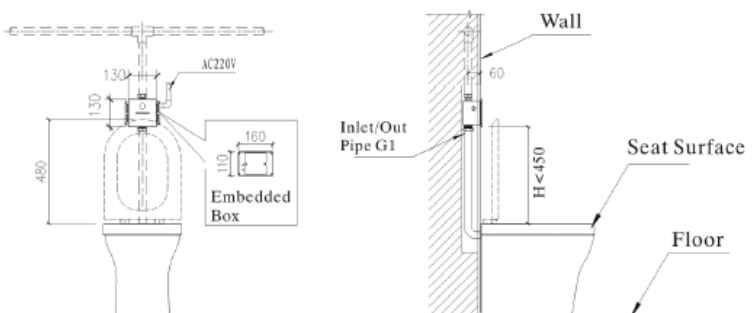
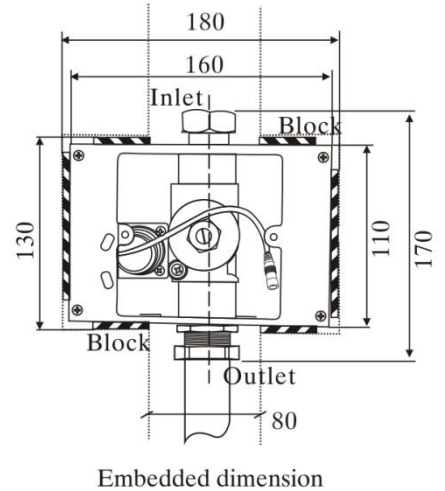
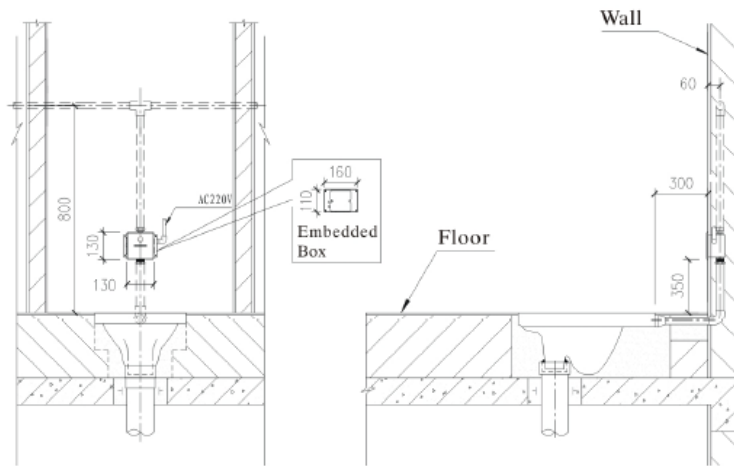
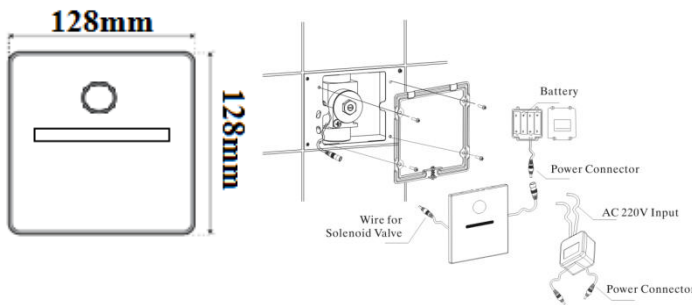
Sensor circle: > 500,000 circles

Water Inle: G1" (DN25)

Environment Temperature: 1-55 Degree  
celsius

Advantages: Filter @ Solenoid

**TECHNICAL SPECIFICATIONS**



*Unit in millimetres.*