



KRÖN

Drain Systems

Presented by: KRÖN ASIA PTE LTD

KRÖN DRAIN SYSTEM

REVERSIBLE FLOOR DRAINS

The logo for KRÖN, featuring the word "KRÖN" in a bold, sans-serif font. The letter "O" is red, while the other letters are black. Above the "O" are two small red dots. To the left of the text is a thick black line that starts vertically, then turns 90 degrees to the right, and finally turns 45 degrees downwards to the left, ending in a jagged, lightning-bolt-like shape.

KRÖN



KRÖN streamlined floor trap drain meant for 100mm & 50mm diameter waste pipe is made from premium stainless steel that comes in a 2 in 1 reversible tile base grate giving the options to use it as a tile insert drain or as a stainless steel cover just by turning the grate cover and shifting the feet around. The center drain outlet comes with a hair tap to minimize possibility of drain blockages due to hair and an odour trap to prevent vermin & nasty odour from the sewage.

KRÖN DRAIN SYSTEM REVERSIBLE FLOOR TRAP

SKU: FTT-150

The logo for KRÖN, featuring the word "KRÖN" in a bold, sans-serif font. The letter "O" is red, while the other letters are black. Above the "O" are two small red dots. To the left of the text is a stylized black graphic element consisting of a vertical line that turns into a horizontal line, with a small diagonal tick mark at the end.

KRÖN

KRÖN REVERSIBLE FLOOR TRAP – TECHNICAL INFO

SKU: FTT-150

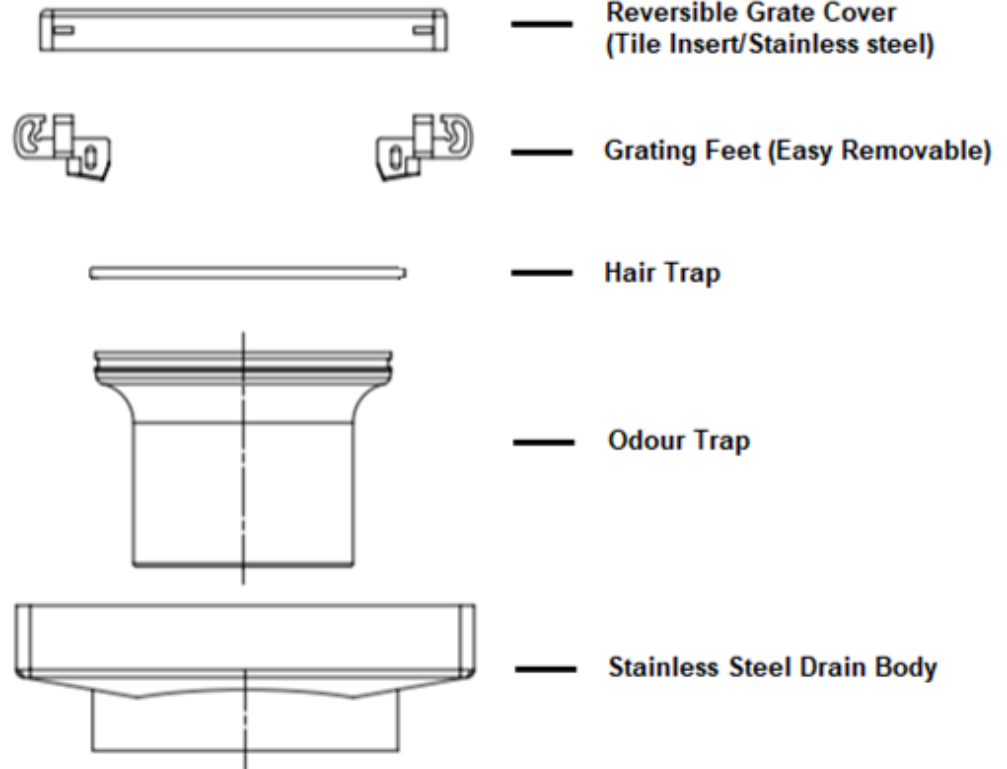
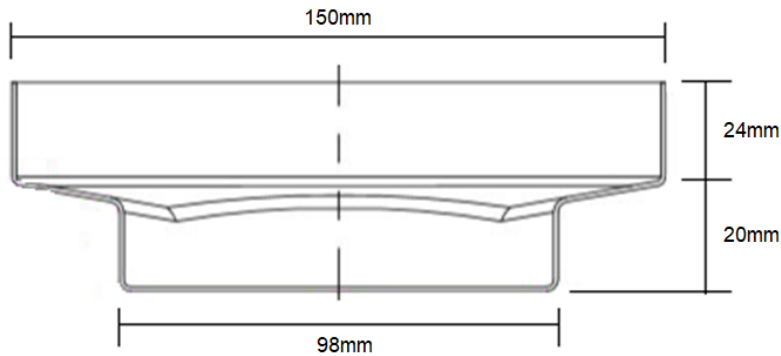
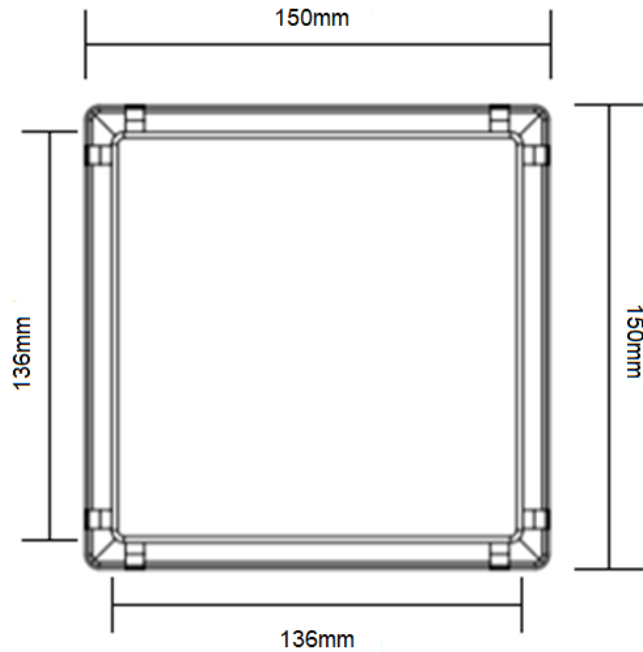


Consisting of:

- Floor trap made of polished stainless steel in, material 1.4301 (SS304)
- With 1 side for tile insert and reverse side in brushed stainless steel provides dual design.
- Hair trap to minimize possibility of drain blockages due to hair & debris
- Odour & Vermin trap to prevent breeding of mosquito & vermin as well as eliminate nasty odour
- Internal incline for improved water drainage and self-cleaning effect
- Withstanding up to 100kg load and flow rate up to 50 litre/min
- Available standard dimension: 150 x 150mm
- Waste: 100mm diameter center outlet
- Configuration: Centre drain outlet
- Warranty: 12 months product warranty against manufacturer defect

KRÖN REVERSIBLE FLOOR TRAP – DIMENSION

SKU: FTT-150



KRÖN DRAIN SYSTEM REVERSIBLE FLOOR WASTE

SKU: FWT-100

The logo for KRÖN, featuring the word "KRÖN" in a bold, sans-serif font. The letter "O" is red, while the other letters are black. Above the "O" are two small red dots. To the left of the text is a stylized black graphic element consisting of a vertical line that turns into a horizontal line, with a small diagonal tick mark at the end.

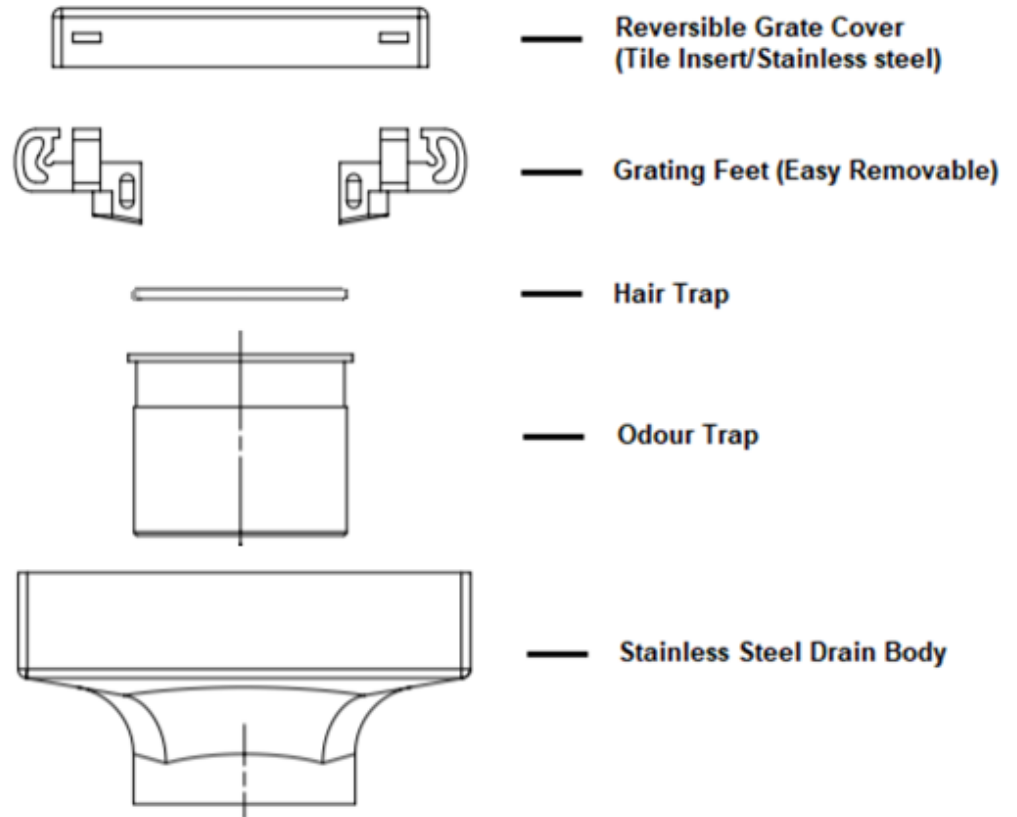
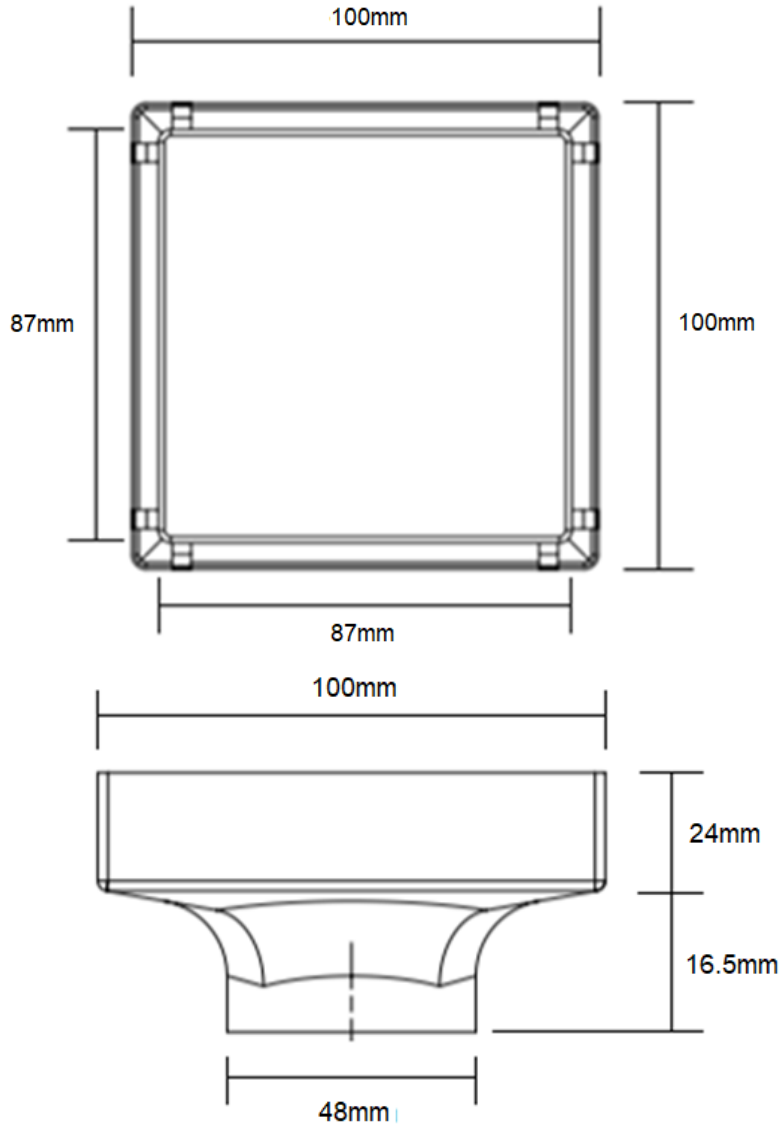
KRÖN

Consisting of:

- Floor trap made of polished stainless steel in, material 1.4301 (SS304)
- With 1 side for tile insert and reverse side in brushed stainless steel provides dual design.
- Hair trap to minimize possibility of drain blockages due to hair & debris
- Odour & Vermin trap to prevent breeding of mosquito & vermin as well as eliminate nasty odour
- Internal incline for improved water drainage and self-cleaning effect
- Withstanding up to 100kg load and flow rate up to 50 litre/min
- Available standard dimension: 100 x 100mm
- Waste: 50mm diameter center outlet
- Configuration: Centre drain outlet
- Warranty: 12 months product warranty against manufacturer defect

KRÖN REVERSIBLE FLOOR WASTE – DIMENSION

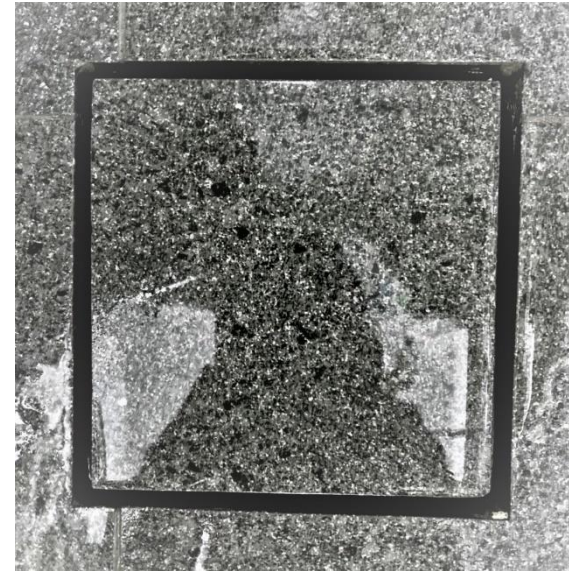
SKU: FWT-100





KRÖN DRAIN SYSTEM
FRAMELESS FLOOR DRAIN SERIES
FOR NATURAL STONE & TILES

KRÖN



KRÖN streamlined floor trap drain meant for 100mm & 50mm diameter waste pipe is made from premium stainless steel specially designed for installation of natural stone on grate giving an amazing frameless outlook. The center drain outlet comes with a hair tap to minimize possibility of drain blockages due to hair and an odour trap to prevent vermin & nasty odour from the sewage.



KRÖN DRAIN SYSTEM
FRAMELESS FLOOR TRAP
FOR NATURAL STONE & TILES

SKU: FTS-150

KRÖN

KRÖN FRAMELESS FLOOR TRAP – TECHNICAL INFO

SKU: FTS-150

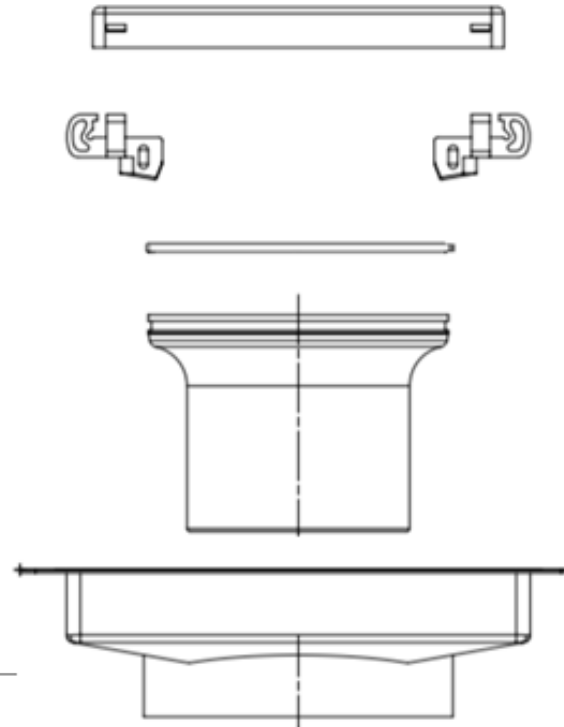
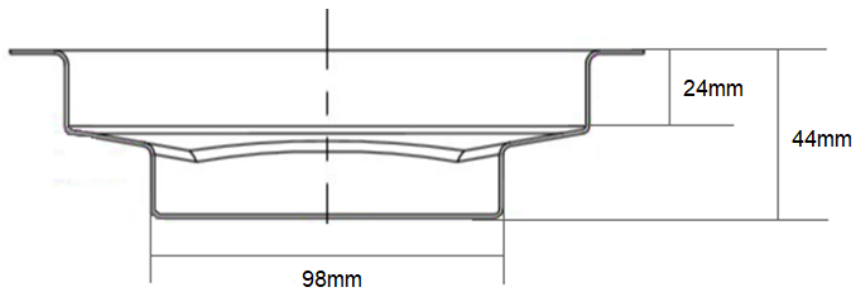
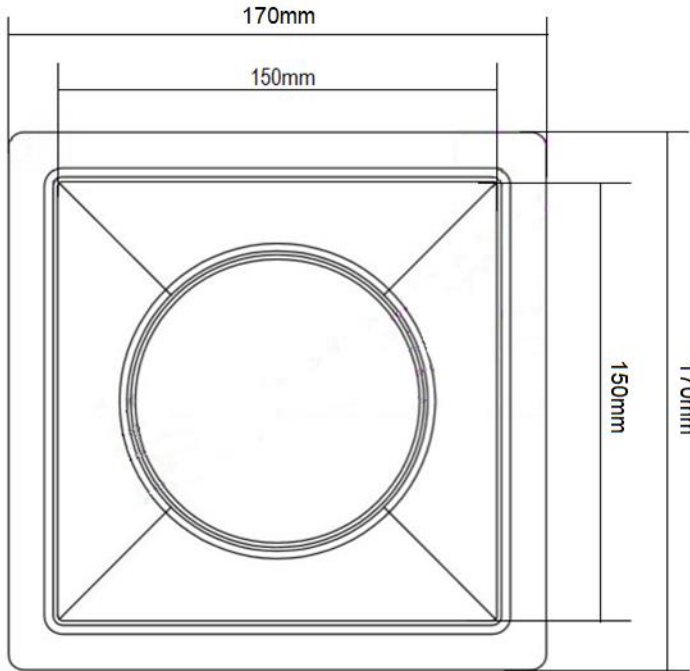


Consisting of:

- Floor trap made of polished stainless steel in, material 1.4301 (SS304)
- With natural stone adhesive directly on grate achieving frameless outlook
- Hair trap to minimize possibility of drain blockages due to hair & debris
- Odour & Vermin trap to prevent breeding of mosquito & vermin as well as eliminate nasty odour
- Internal incline for improved water drainage and self-cleaning effect
- Withstanding up to 100kg load and flow rate up to 50 litre/min
- Available standard dimension: 150 x 150mm
- Waste: 100mm diameter center outlet
- Configuration: Centre drain outlet
- Warranty: 12 months product warranty against manufacturer defect

KRÖN FRAMELESS FLOOR TRAP – DIMENSION

SKU: FTS-150



- Reversible Grate Cover (For adhesive of Natural stone)
- Grating Feet (Easy Removable)
- Hair Trap
- Odour Trap
- Stainless Steel Drain Body



**KRÖN DRAIN SYSTEM
FRAMELESS FLOOR WASTE
FOR NATURAL STONE & TILES**

SKU: FWS-100

KRÖN

KRÖN FRAMELESS FLOOR WASTE – TECHNICAL INFO

SKU: FWS-100



Consisting of:

- Floor trap made of polished stainless steel in, material 1.4301 (SS304)
- With natural stone adhesive directly on grate achieving frameless outlook
- Hair trap to minimize possibility of drain blockages due to hair & debris
- Odour & Vermin trap to prevent breeding of mosquito & vermin as well as eliminate nasty odour
- Internal incline for improved water drainage and self-cleaning effect
- Withstanding up to 100kg load and flow rate up to 50 litre/min
- Available standard dimension: 100 x 100mm
- Waste: 50mm diameter center outlet
- Configuration: Centre drain outlet
- Warranty: 12 months product warranty against manufacturer defect

KRÖN FRAMELESS FLOOR WASTE – DIMENSION

SKU: FWS-100

