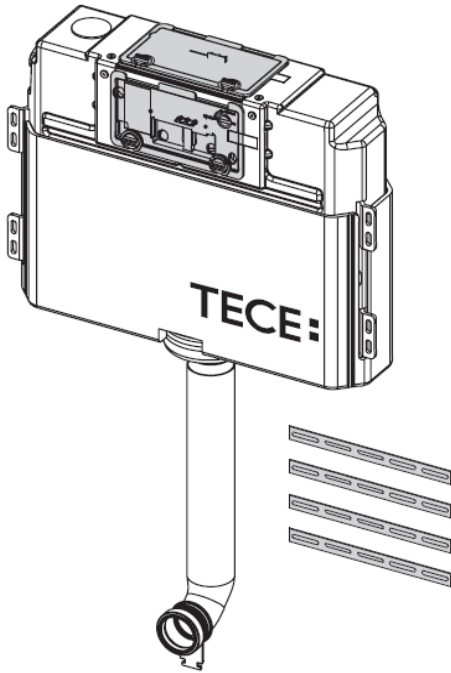


TECE close to you



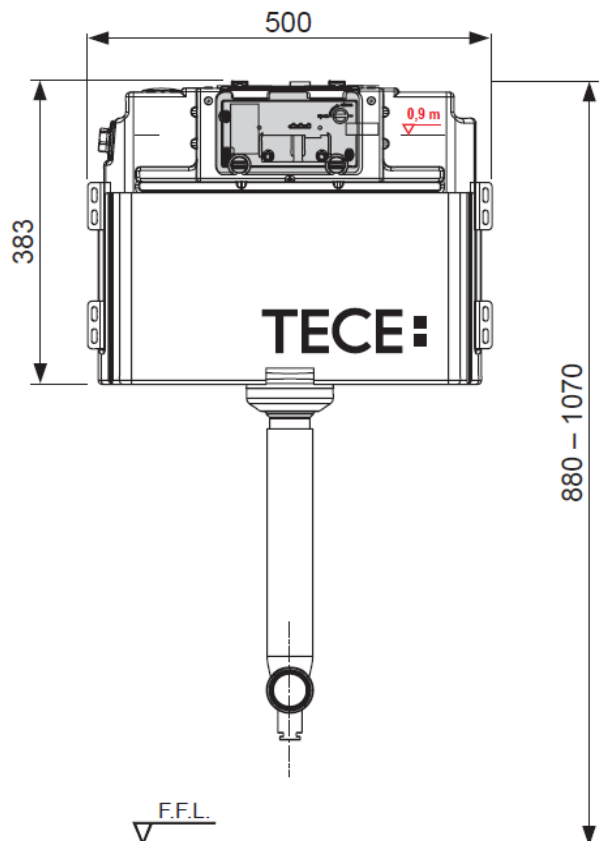
PRODUCT SPECIFICATIONS

Dimension: 383mm(L) X 500mm(W) X
880-1070mm(H)

*For Top And Front Actuator Height
880-1070mm*

TECHNICAL SPECIFICATIONS

- Suitable for use in: Minimum height installation. (Eg. Under a window or in a vanity)
- Saves water with dual-flush technology
- Use in dry-wall and brick-wall construction
- Easy assembly



Unit in millimetres.