

Schmied



- Cost effective solution for individual urinal stalls, suitable for commercial and residential use.
- Touch-free hygienic operation
- Low energy consumption
- Simple, minimal design

PRODUCT SPECIFICATIONS

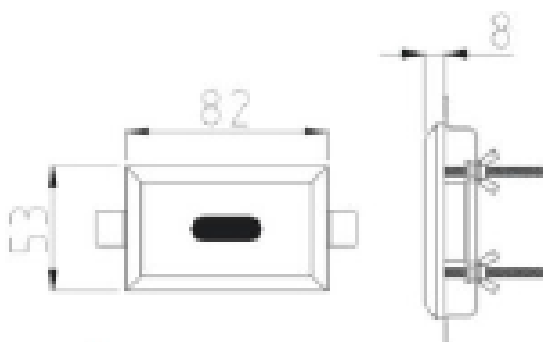
Integrated Urinal Sensor (AC & DC)

With Manual Override Button

Dimension: 82mm x 53mm

Material: Stainless Steel Face Plate

TECHNICAL SPECIFICATIONS



Unit in millimetres.