

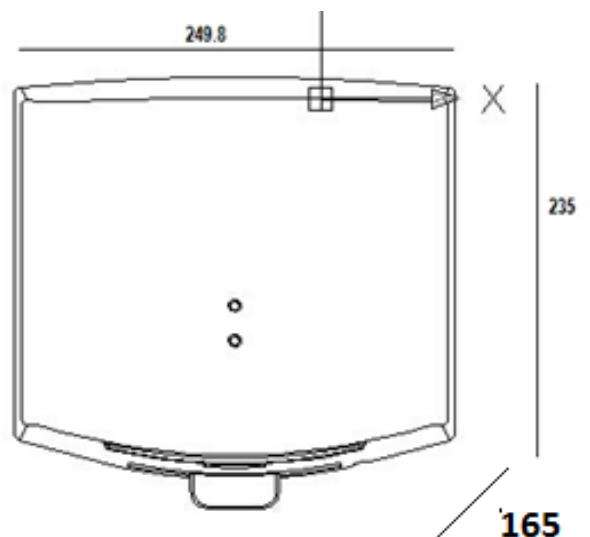
Schmied

PRODUCT SPECIFICATIONS

Material/ Colour: ABS White
 Sensing type: Touch-free infrared
 Voltage : AC220-240V
 Standby Power : 2W
 Motor Rating: 550W
 Phase: Single-phase
 Air speed: 105m/s
 Sensing Distance: 110- 130mm
 Motor type: Brush motor
 IP Class: IPX1
 Noise : 76dB
 RPM: 20000
 Overtime protection: 45s
 Drying Time : 10-15s
 Dimension: 249.5mm x 235mm x 165mm
 N.W / G.W: 3.7kg / 4.2kg



TECHNICAL SPECIFICATIONS



Unit in millimetres.