



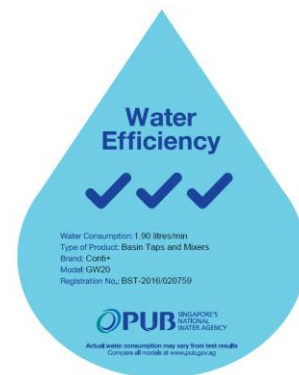
- operating pressure: 0,3 - 10 bar
 - flow rate: approx. 5,7 l/min. (3 bar)
controlled - optional 2 l/min (cost neutral)
 - max. water temperature: 80° C
 - aerator: aerator RC
 - flexible hose: 35 cm
 - connection thread: G 1/2"
- filter: 0,5 mm mesh size
- sensor sensitivity: automatic self-adapting sensor technology
 - follow-up time: 1 sec. pre-set
(adjustable with touch 0 - 10 sec.)
continuous water flow and hygienic rinse
time: 2 min. pre-set (adjustable with
touch 0,5 - 20 min.)
temporary-off: 2 min. (fixed)
- engineering standards: DIN EN 200; CE

PRODUCT SPECIFICATIONS

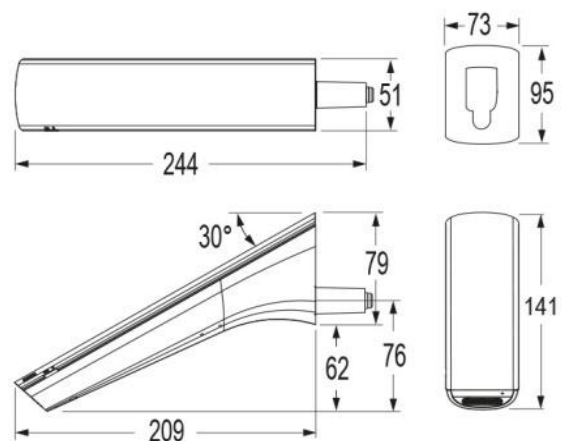
Ultra Wall-mounted Faucet GW20

Battery Operated

Dimension: 141mm



TECHNICAL SPECIFICATIONS



Unit in millimetres.