

Schmied



PRODUCT SPECIFICATIONS

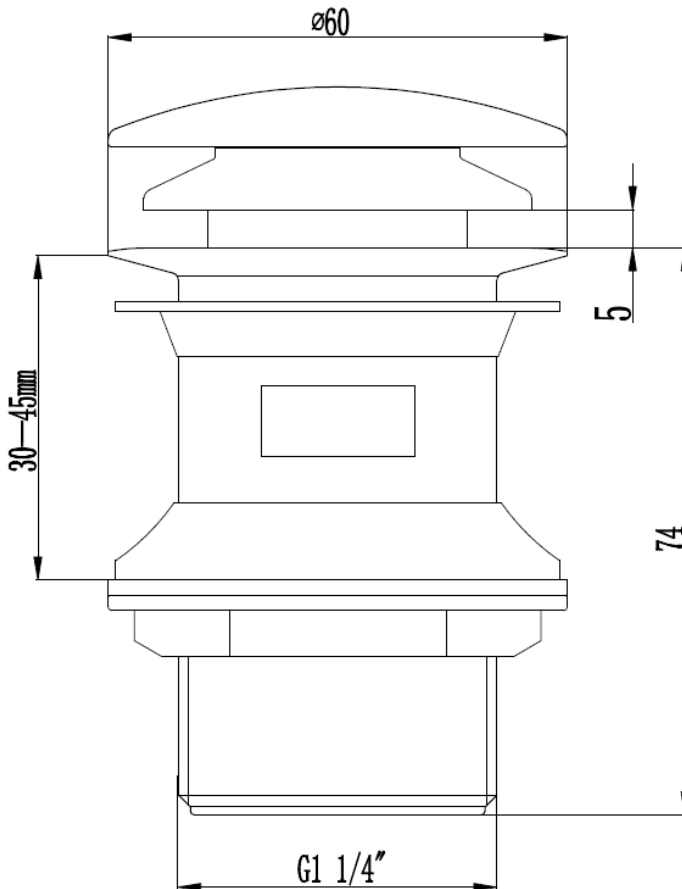
Material: Matt Black

Capping material: Stainless Steel plate

Installation: With Overflow

Size: 1.1/4

TECHNICAL SPECIFICATIONS



UNIT IN MILLIMETRES.