

Schmied

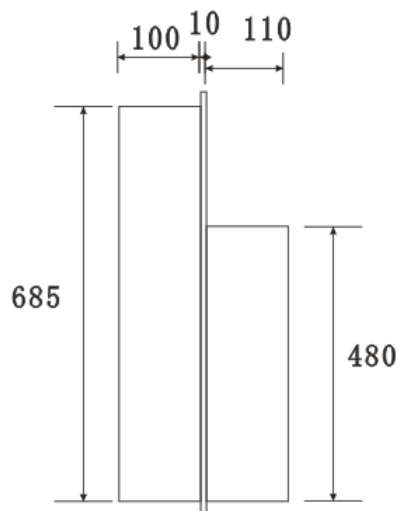
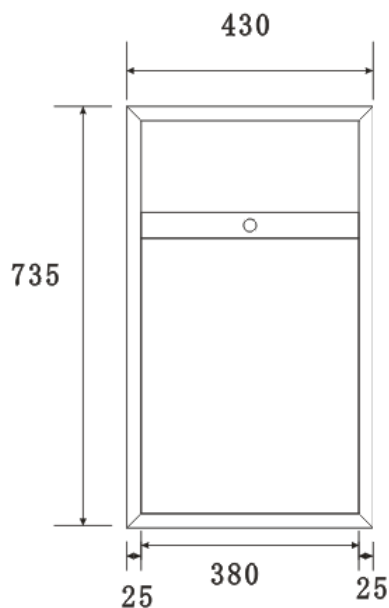


PRODUCT SPECIFICATIONS

Dimension: 430mm x 735mm x 210mm

Material: Stainless Steel / Satin

TECHNICAL SPECIFICATIONS



Unit in millimetres.