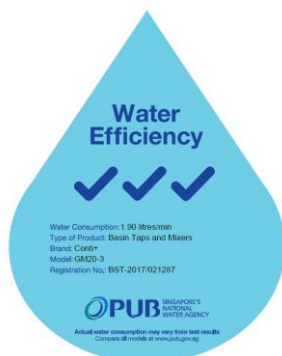




Touch-free, electronically controlled lavatory faucet:

- modular single-piece design, without separate installation box, sturdy metal housing
- dual infrared sensors with automatic setting feature, microprocessor-electronic
- reliable solenoid valve (minimal level of water pressure surge)
- vandal-resistant aerator (replaceable with integrated tool)
- cold water supply connection with flexible high-pressure hose

WATER EFFICIENCY



PRODUCT SPECIFICATIONS

Ultra Lavatory Faucet , GM20 Cold Tap ,
Battery Operated

Operating pressure: 0,3 - 10 bar

Flow rate: approx. 5,7 l/min. (3 bar) - optional
2 l/min (cost neutral)

Max. water temperature: 80° C

Aerator: aerator RC

Flexible hose: 35 cm

Angle valve connection: G 1/2"

Filter: 0,5 mm mesh size

Sensor-sensitivity: automatic self-adapting
sensor technology

Follow-up time: 1 sec. pre-set (adjustable with
Touch 0 - 10 sec.)

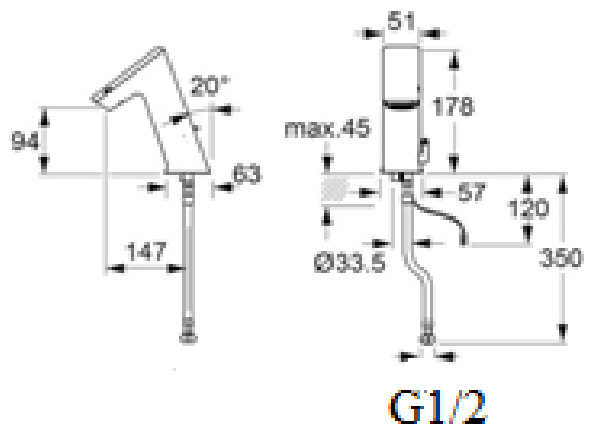
Continuous water flow

and hygienic rinse time: 2 min. pre-set
(adjustable with Touch 0,5 - 20 min.)

Temporary-off: 2 min. (fixed)

Dimension: 178mm

TECHNICAL SPECIFICATIONS



Unit in millimetres.