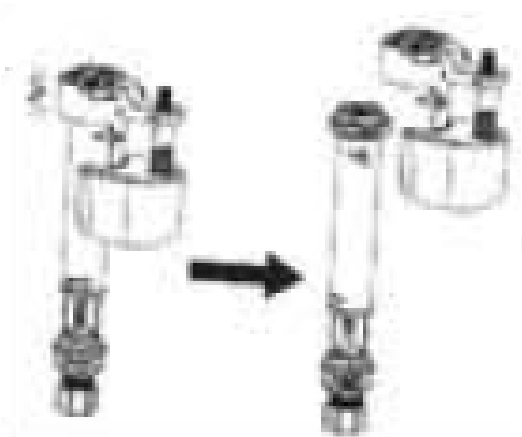


Schmied



## PRODUCT SPECIFICATIONS

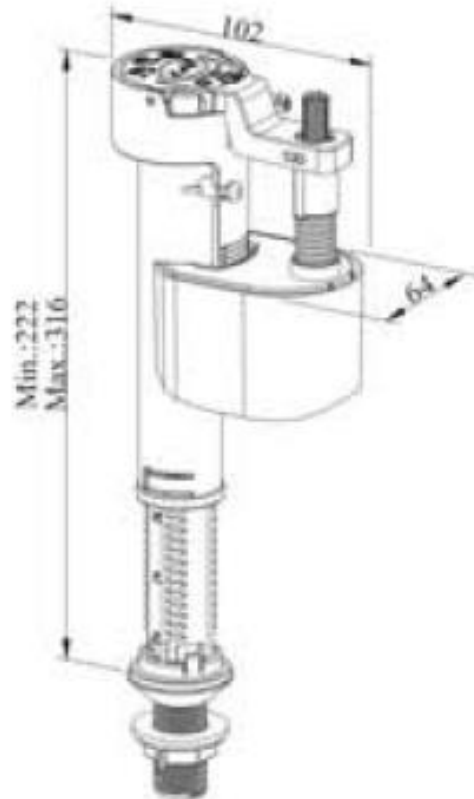
8-13" Adjustable Fill Valve

Bottom Inlet Connection G1/2 POM

Installation Height : 222-316 Mm

Special Design, easy to clean and replace.

## TECHNICAL SPECIFICATIONS



*Unit in millimetres.*