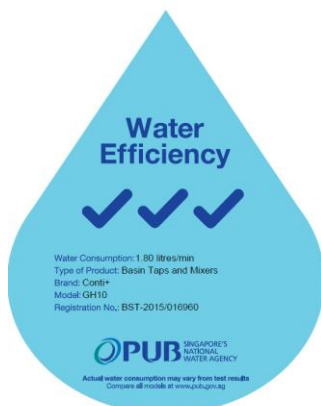




- dual infrared sensors with automatic setting feature, microprocessor-electronic
- reliable solenoid valve
- vandal-resistant aerator
- scald protection adjustable
- integrated automatic shut-off for facilitate replacing or cleaning the filter
- automatic energy saving function
- integrated battery unit

WATER EFFICIENCY



PRODUCT SPECIFICATIONS

162.000.11

Ultra Lavatory Faucet

GM10, IR-sensor, Temp. Mixer,

Battery Operated

Dimension: 178mm

163.000.11

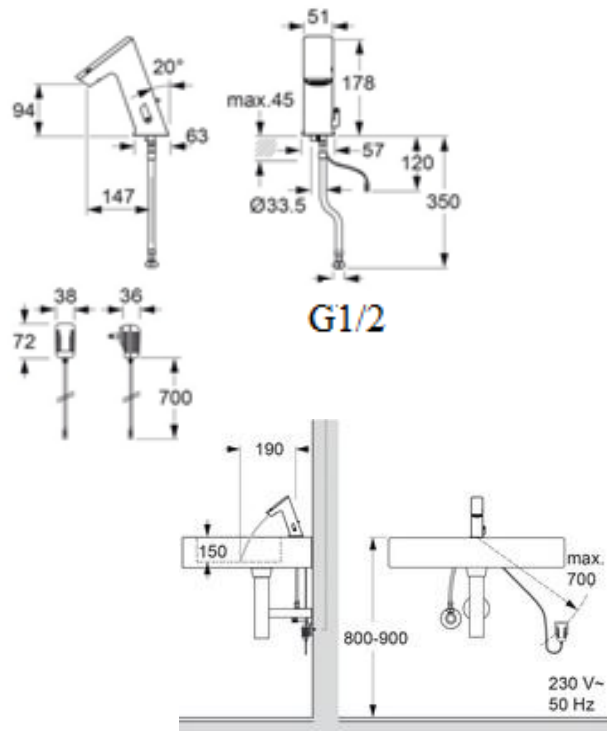
Ultra Lavatory Faucet

GH10, IR-sensor, Temp. Mixer,

Battery Operated

Dimension: 252mm

TECHNICAL SPECIFICATIONS



Unit in millimetres.