

**TECE**  close to you



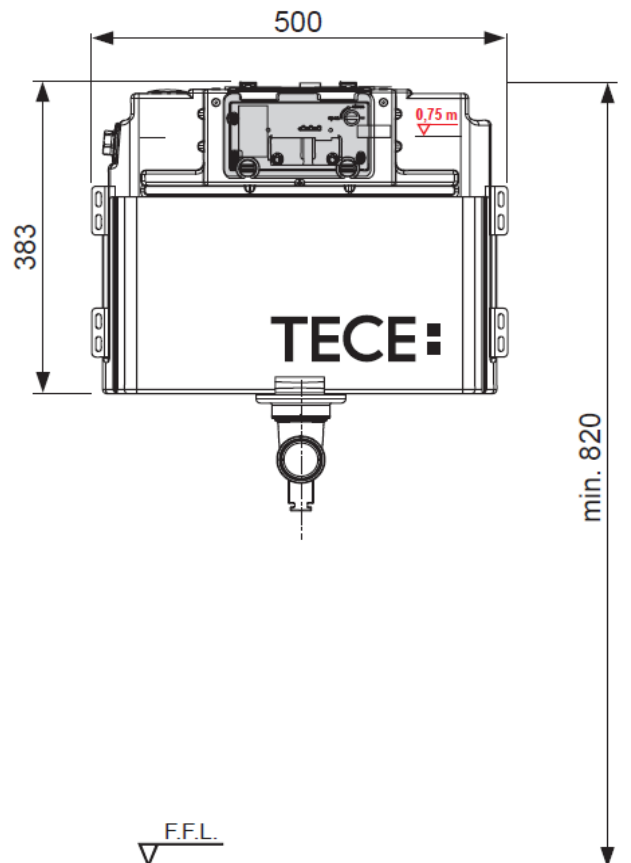
## PRODUCT SPECIFICATIONS

Dimension: 383mm(L) X 500mm(W) X 820(H)

*For Top And Front Actuator With Fixed Height 820mm.*

## TECHNICAL SPECIFICATIONS

- Suitable for use in: Minimum height installation. (Eg. Under a window or in a vanity)
- Top or front button mounting
- Saves water with dual-flush technology
- Use in dry-wall and brick-wall construction
- Easy assembly



*Unit in millimetres.*