

Schmied



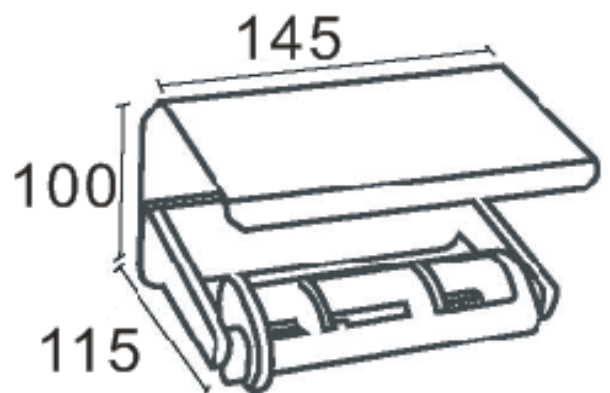
- Modern single toilet paper holder with small shelf
- Solid constructed brushed stainless steel
- Contemporary style with minimalist design
- Fits a standard core toilet roll
- Wall mounted

### PRODUCT SPECIFICATIONS

Dimension: 145mm X 110mm X 80mm

Material: Satin

### TECHNICAL SPECIFICATIONS



*Unit in millimetres.*