

Schmied



### PRODUCT SPECIFICATIONS

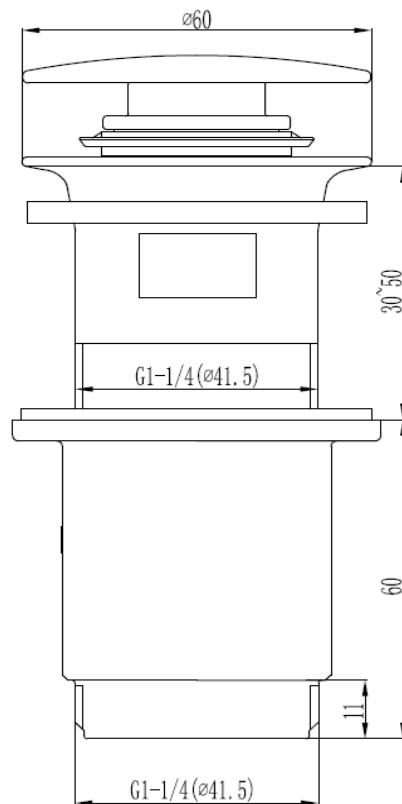
Material: ABS

Capping material: Stainless Steel plate

Installation: With Overflow

Size : 1.1/4

### TECHNICAL SPECIFICATIONS



*Unit in millimetres.*