

Schmied

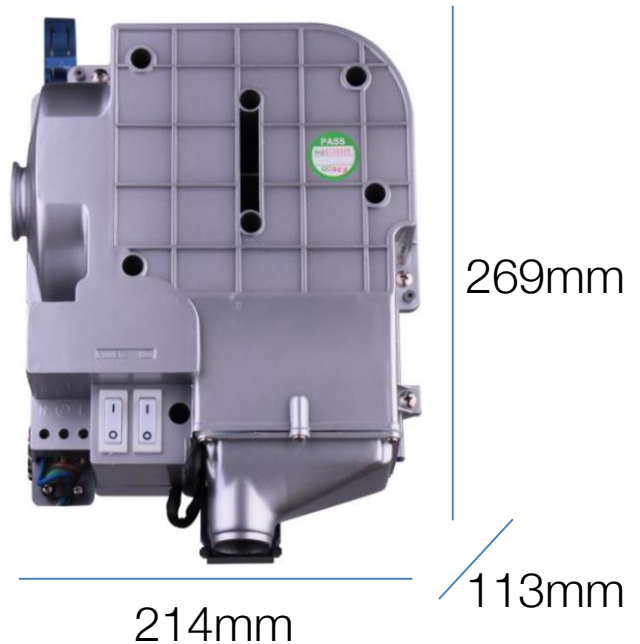


## PRODUCT SPECIFICATIONS

- Material/ Colour: ABS case Grey
- Motor Power: 500W
- Power rating : 1150W
- RPM: 25000
- Heater type: Heating Wire
- Standby Mode: 2 W
- Sensing type: Touch-free infrared
- Air speed: 53m/s
- Drying Time: 15S
- Air Temperature: 20-40 degree
- Motor type: Brush motor
- N.W/ G.W: 2.4kg / 2.8kg
- Noise: 72dB
- Sensing distance: 9-15cm

## TECHNICAL SPECIFICATIONS

- Suitable for cabinet mounting, environmentally friendly
- Dynamic display of power indicator
- Compact size
- Strong airflow and low noise
- Waterproof IPX1
- 45s Overtime protection
- Dimension: 269 x 214 x 113mm



*Unit in millimetres.*