

Schmied



### PRODUCT SPECIFICATIONS

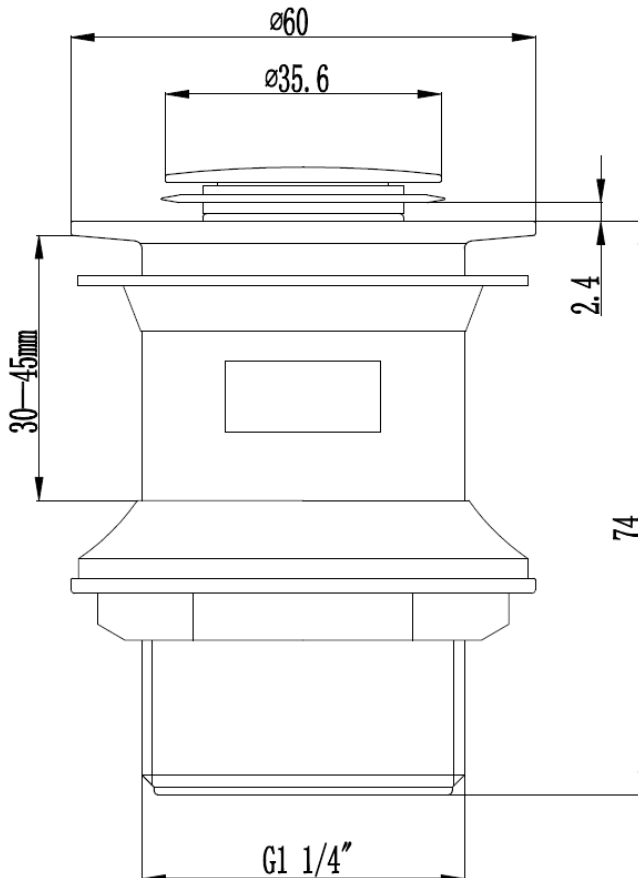
Material: Brass Chrome Plated

Capping material: Stainless Steel plate

Installation: With Overflow

Size: 1.1/4

### TECHNICAL SPECIFICATIONS



Unit in millimetres.