

Schmied



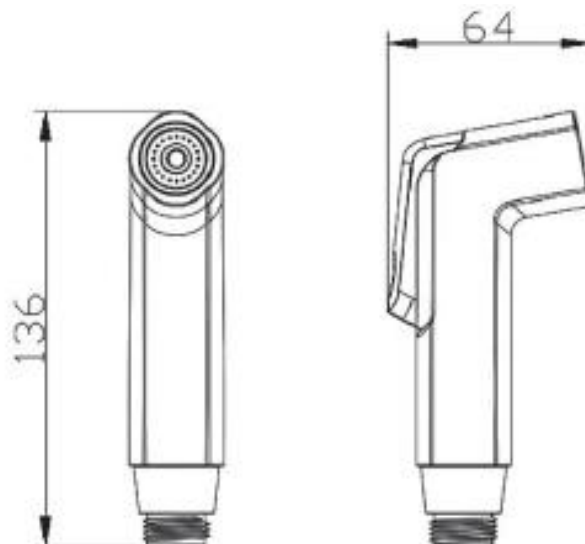
PRODUCT SPECIFICATIONS

Material: ABS chrome with Stainless steel
hose

Stainless steel hose 1.2m

Working Pressure : up to 1MPA

TECHNICAL SPECIFICATIONS



Unit in millimetres.