



- modular single-piece design, without separate installation box, sturdy metal housing, polished
- integrated battery (service via service cover)
- infrared sensors with automatic setting feature, microprocessor-electronic

PRODUCT SPECIFICATIONS

132.040.11

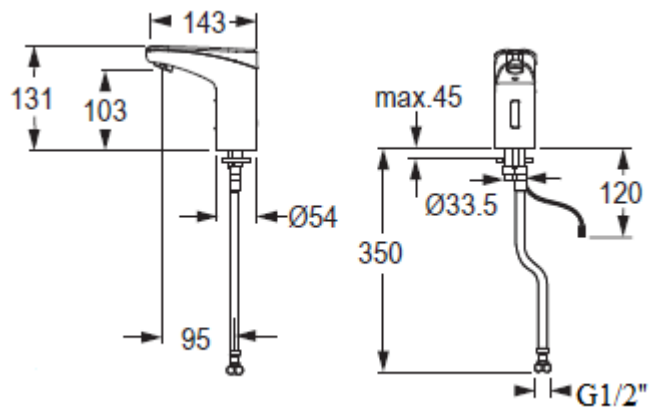
CONTI+ Ruby Lavatory Faucet,
Battery Operated MX20

132.050.11

CONTI+ Ruby Lavatory Faucet, Mains
Operated MX20

Height: 131 mm

TECHNICAL SPECIFICATIONS



Unit in millimetres.

WATER EFFICIENCY

