

Schmied



## PRODUCT SPECIFICATIONS

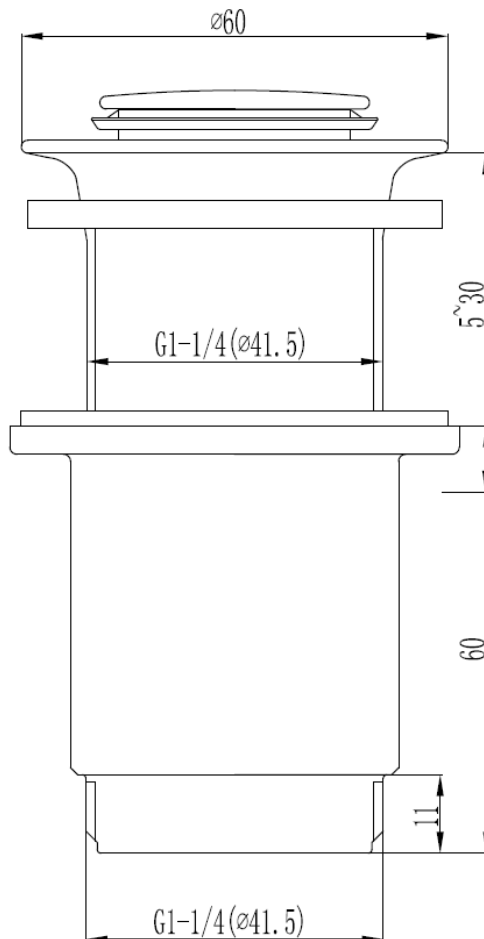
Material: ABS

Capping material: Stainless Steel plate

Installation: Without Overflow

Size: 1.1/4"

## TECHNICAL SPECIFICATIONS



*Unit in millimetres.*