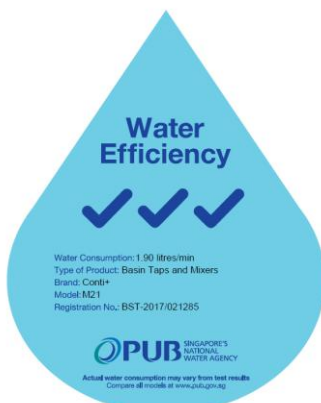




- infrared sensors with automatic setting feature, microprocessor-electronic
- integrated waterproof battery box or cable connection to power supply
- continuous water flow and hygienic rinse time activatable with Touch
- follow-up time, sensor sensitivity adjustable with Touch
- built in filter

WATER EFFICIENCY



PRODUCT SPECIFICATIONS

133.040.11

Umaxx Lavatory Faucet M21

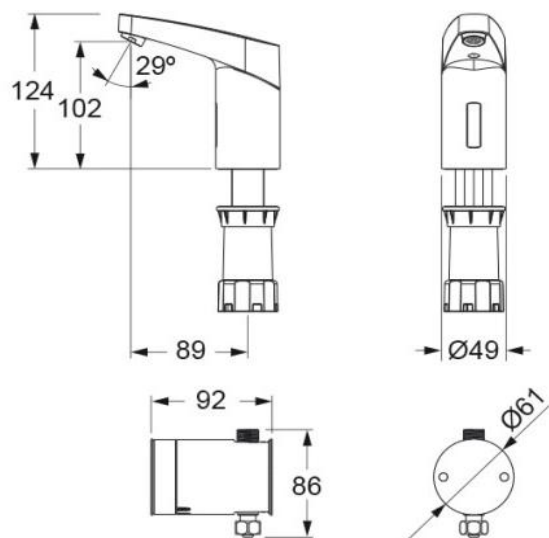
IR-sensor, No Temp. Mixing, Touch, Chrome, Battery Operated

133.050.11

IR-sensor, No Temp. Mixing, Touch, Chrome, Mains Operated

Dimension: 124mm

TECHNICAL SPECIFICATIONS



Unit in millimetres.