

Schmied



PRODUCT SPECIFICATIONS

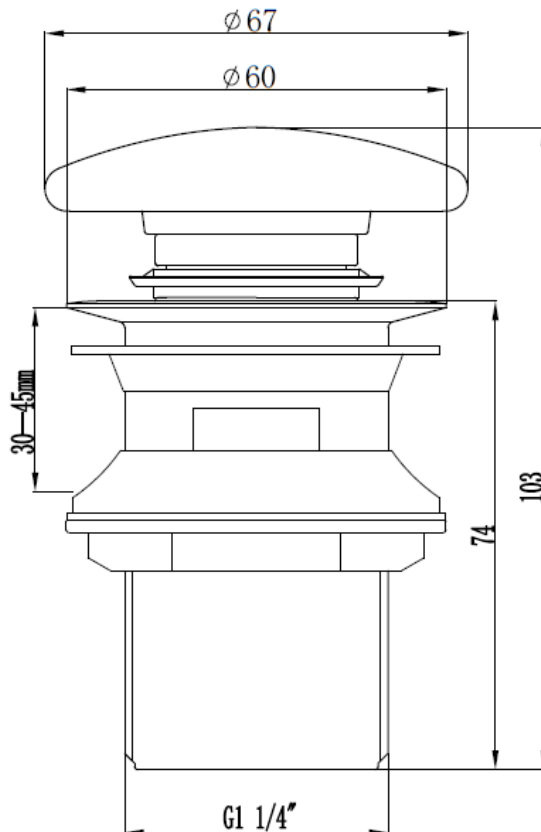
Material: Brass Chrome Plated with
Ceramic cover

Capping material: Ceramic

Installation: Overflow

Size: 1.1/4

TECHNICAL SPECIFICATIONS



Unit in millimetres.