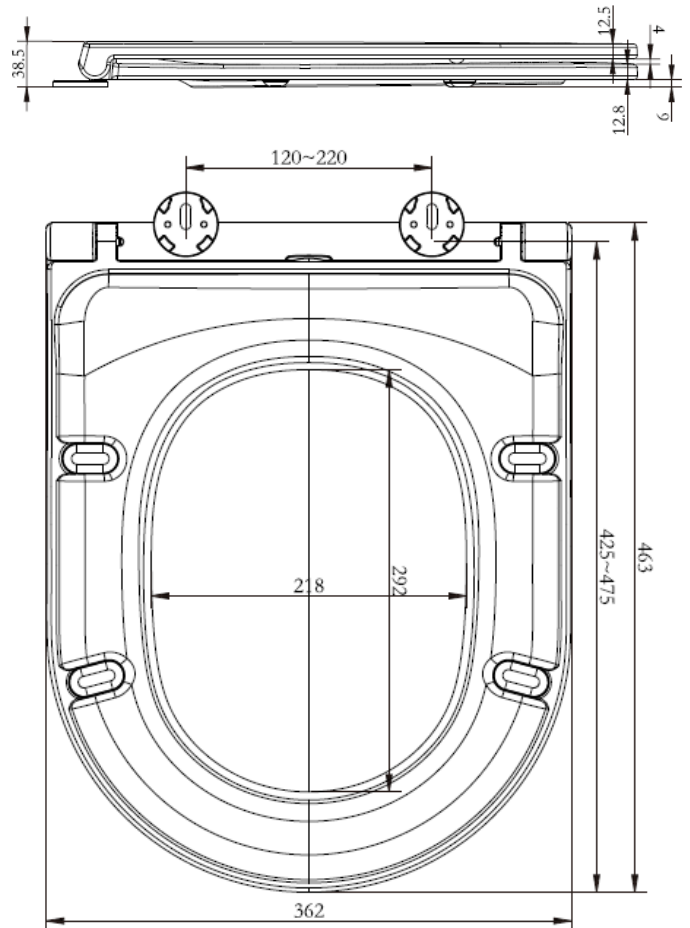


Schmied



TECHNICAL SPECIFICATIONS



- Sturdy construction resists staining, chipping and fading
- Durable and anti-scratch
- Quiet –close lid prevent slamming
- Easy installation
- Slim D shape.

PRODUCT SPECIFICATIONS

Top Mount Soft Close

Material: Urea Formaldehyde Plastic

Colour: White

Dimension: 362 x 463 x 38.5mm

Unit in millimetres.