

Schmied



PRODUCT SPECIFICATIONS

Material/ Colour: ABS / White

Sensing type: Touch-free infrared

Voltage : AC220-240V

Standby Power : 2.1W

Motor Rating: 700W

Phase: Single-phase

Power Rating: 1850 W

Heating Power 650-750W

Air speed: 85-90m/s

Overtime Protection: 25s

Motor type: Brushless motor

IP Class: IPX4

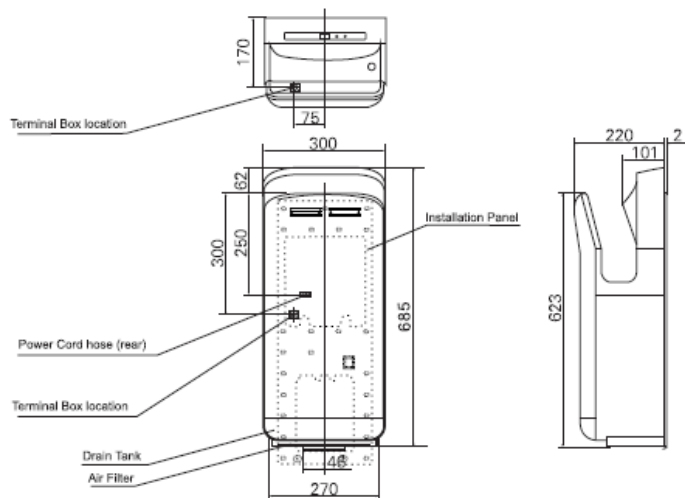
Noise : 72dB

RPM: 18900

Dimension: 685 * 300 * 220mm

TECHNICAL SPECIFICATIONS

- 24,000 RPM Brushless low noise motor
- Intelligent LED displays drying time and error code
- Dual outlets enable faster drying time
- Removable drain tank
- Hidden switch: High and low speed air speed; intelligent heat system on/off



Unit in millimetres.