

# Schmied



## PRODUCT SPECIFICATIONS

Material/ Colour: ABS / Silver

Sensing type: Touch-free infrared

Voltage: AC220-240V

Phase : Single Phase

Input: 1400-1650W

Air speed: 105m/s

Heating Power: 800-950W

Sensing distance: 110-130mm

IP class: IPX1

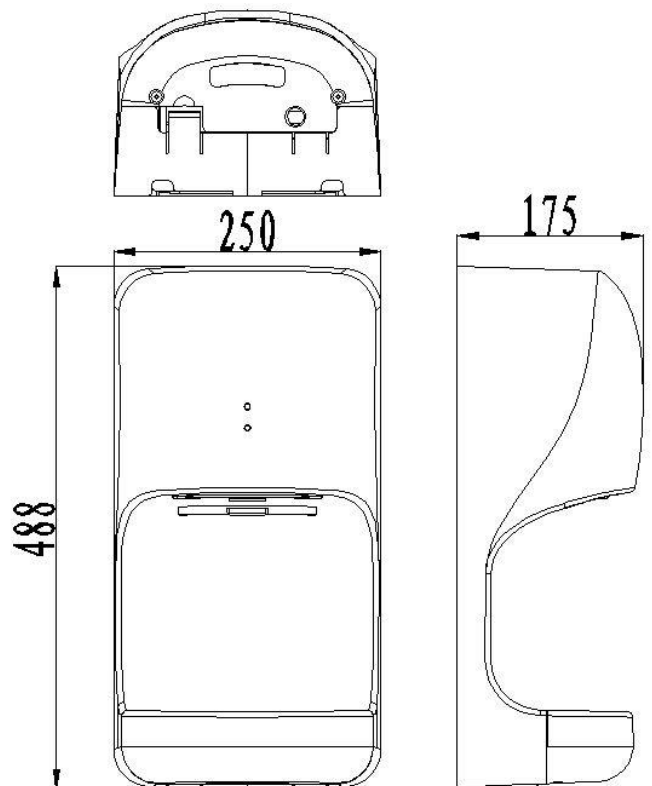
Noise: 76dB

Motor type: Brush motor

Dimension: 488mm x 250mm x 175mm

Drain tank: 400ml

## TECHNICAL SPECIFICATIONS



*Unit in millimetres.*

- Innovative patent design, beautiful and elegant
- Auto adjustment of sensing distance
- Long strip outlet speeds drying time
- Two-level removable filter
- Intelligent heat system
- Hidden switch to turn on/off manually