

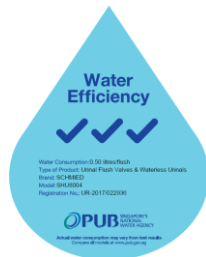
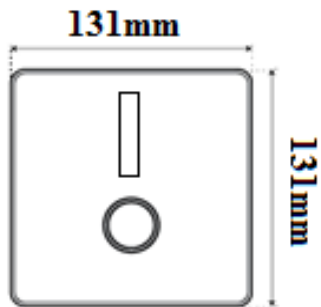
Schmied



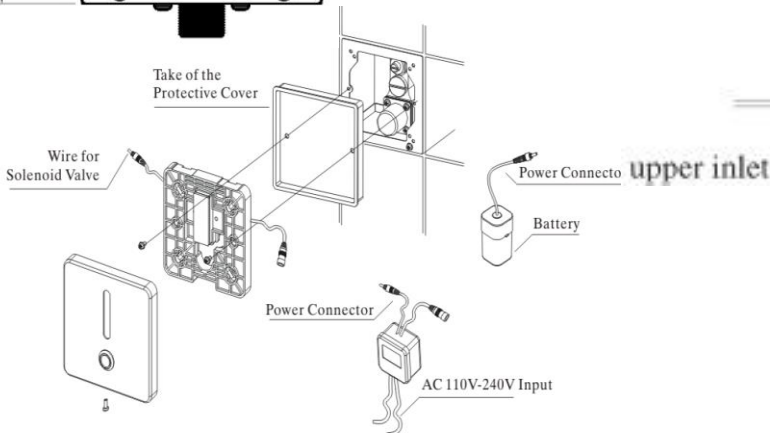
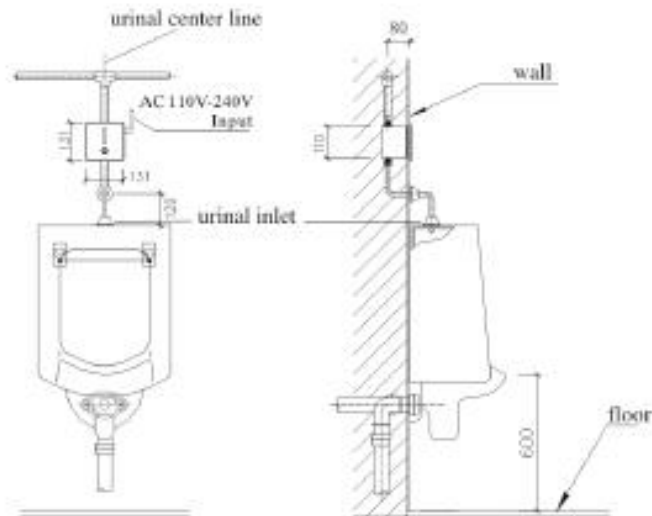
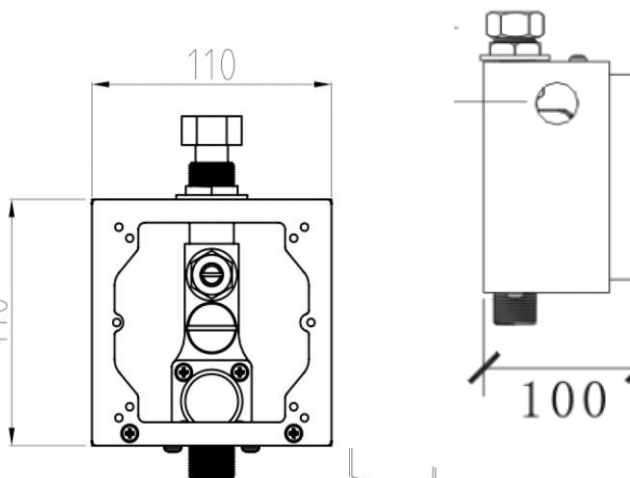
PRODUCT SPECIFICATIONS

Urinal Sensor (AC & DC) with manual override LED button
 Dimension: 131mm x 131mm
 Material: Stainless Steel 304 faceplate
 Working Power: AC110-240V/DC6V
 Water Pressure: 0.1-0.7Mpa
 Sensing Distance: 35-65cm(adjustable)

TECHNICAL SPECIFICATIONS



Water Inlet: G1/2" (DN15)
 Concealed Box dimension: 110*110*100mm
 Water Flow: 2-5L/Flush time(0.3Mpa Static pressure)
 Advantage: DC battery holder is included for backup if AC supply cuts off. (Require 4XAA size alkaline battery. Batteries not included)



Unit in millimetres.