

Schmied



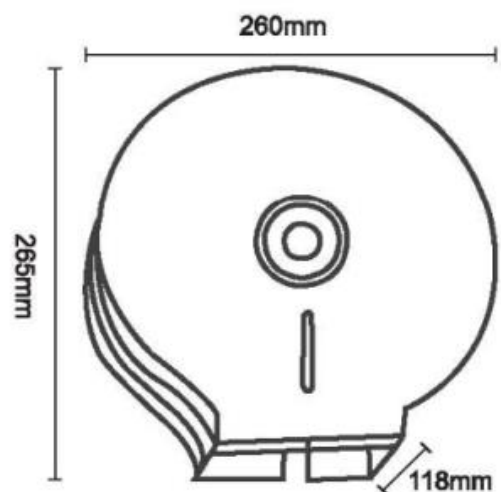
- A premium dispense in both quality and appearance
- Strong and durable to resist rough treatment in high traffic areas
- Lockable dispensers to prevent pilferage
- High capacity system helps reduce janitorial time

PRODUCT SPECIFICATIONS

Dimension: 265mm X 260mm X 118mm

Material: Satin

TECHNICAL SPECIFICATIONS



Unit in millimetres.