

*Schmied*

- Gross weight 39kg
- Auto timing protection cuts off at 45second
- Dynamic display of power indicator
- Compact size
- Strong airflow and low noise
- Modern design
- Inner carton size : 350 x 198 x 220mm
- Master carton size: 400 x 355 x 440mm ( 4pcs)

**PRODUCT SPECIFICATIONS**

Material/ Colour: 304 Stainless Steel/  
Brushed (Hairline Stainless Steel)

Sensing type: Touch-free infrared

Voltage : AC220-240V

Standby Power : 2W

Motor Rating: 500W

Phase: Single-phase

Power Rating: 1150 – 1350W

Heating Power 650-750W

Air speed: 68m/s

Sensing Distance: 150- 200mm

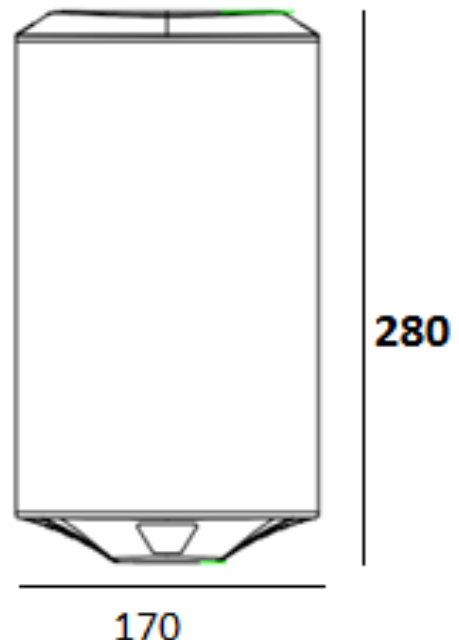
Motor type: Carbon Brush motor

IP Class: IPX1

Noise : 72dB

RPM: 25000

Dimension: 280mm x 153mm x 170mm

**TECHNICAL SPECIFICATIONS**

*Unit in millimetres.*