

Schmied



PRODUCT SPECIFICATIONS

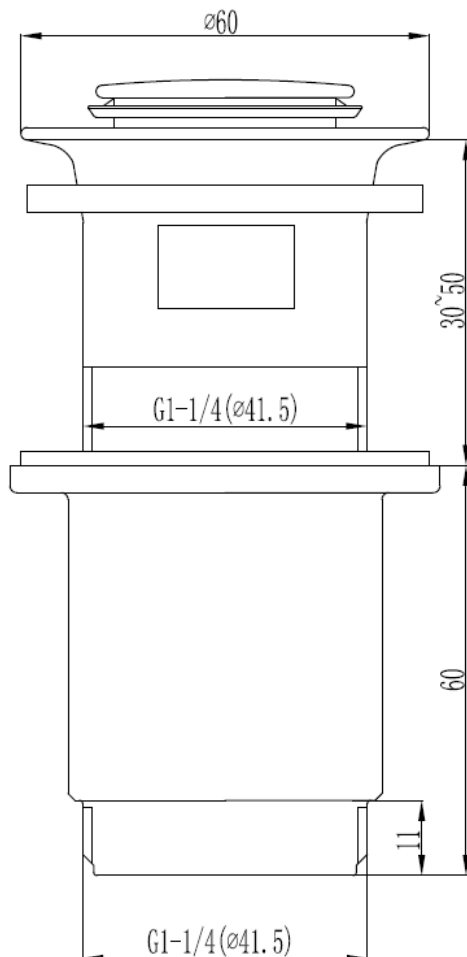
Material: ABS

Capping material: Stainless Steel plate

Installation: With Overflow

Size: 1.1/4

TECHNICAL SPECIFICATIONS



t in millimetres.