

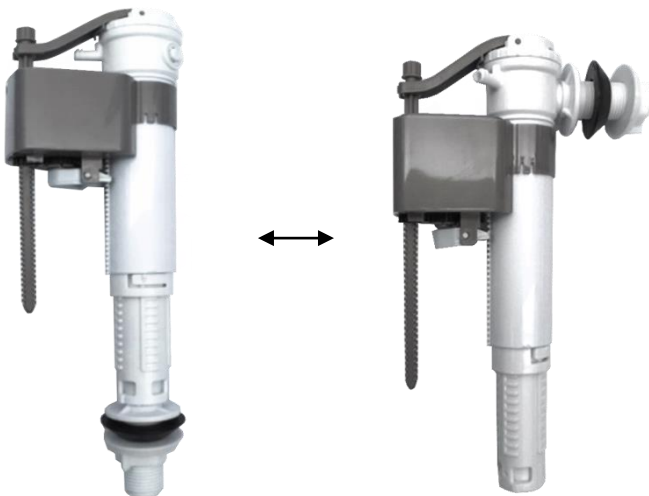
Schmied



A12640 G1/2 POM
Universal Inlet



A12640-G3/8-BRASSADP
G3/8 Brass Adaptor



Side/ Bottom Transformable Inlet

PRODUCT SPECIFICATIONS

Universal Bottom/ Side Inlet

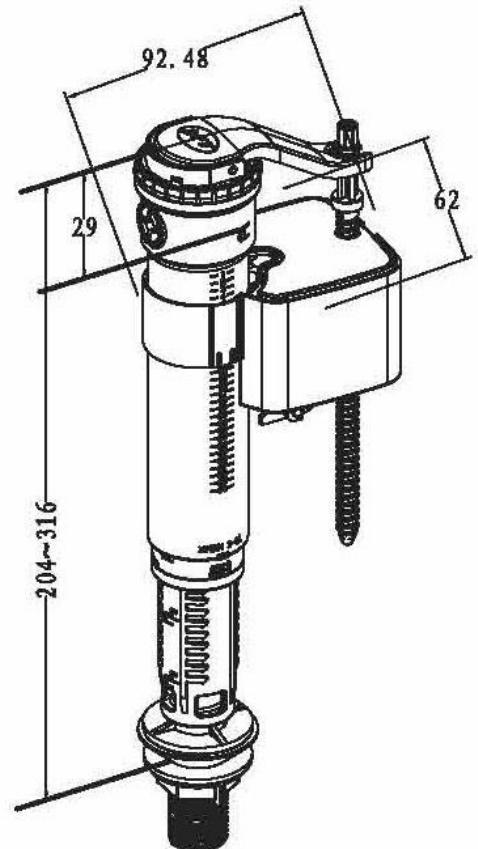
Transformable Fill Valve G1/2 POM

Installation Height: 204-316mm

Special Feature: Insensitive to impurity to water, Low inlet noise (38dB(A)).

Universal transformable fill valve with inlet G3/8 brass adaptor.

TECHNICAL SPECIFICATIONS



Unit in millimetres.