

TECE SOUTH-EAST ASIA PTE LTD

TECE Sensor Flush Valve

Product Specification

Urinal Sensor Flush Valve With LED

Product Code - 9280201



Urinal Sensor (AC & DC) With Manual Override Button, LED Light

Dimension: 130mm X 130mm

Material: Hairline Stainless Steel 304

Working Power: AC220V/DC6V

Water Pressure: 0.1-0.7Mpa

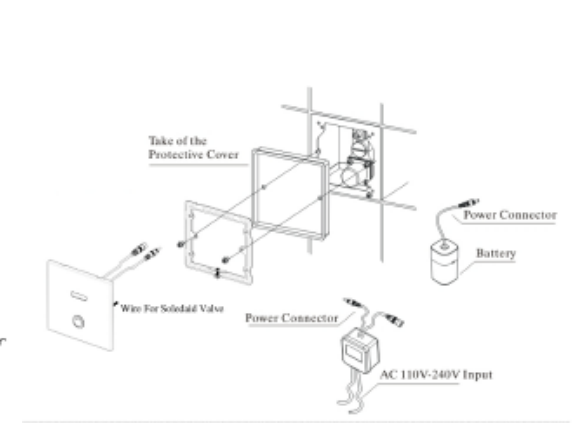
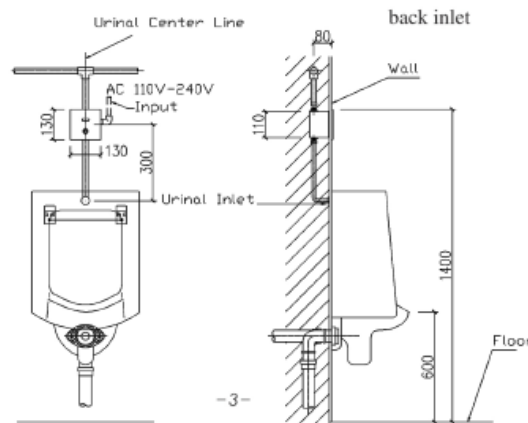
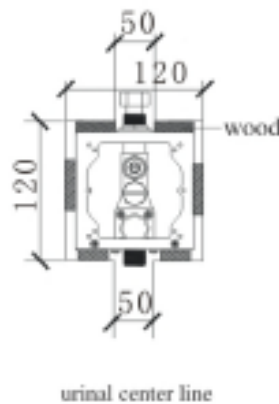
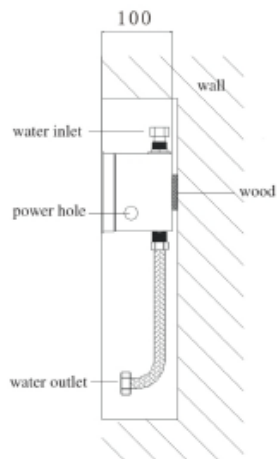
Sensing Distance: 35-65cm(adjustable)

Water Inlet: G1/2" (DN15)

Water Flow: 2-5L/Flush time(0.3Mpa)

Advantage: DC battery holder is included for backup if AC supply cuts off.

(Required 4XAA size alkaline battery. Batteries not included.)



WC LED Sensor Flush Valve

Product Code – 9280200



WC Sensor (AC & DC) With Manual Override Button, LED Light

Dimension: 160mm X 160mm

Material: Hairline 304 Stainless Steel Working power: AC220V/DC6V

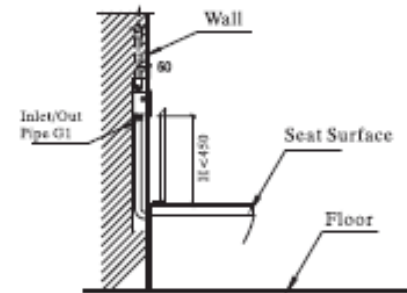
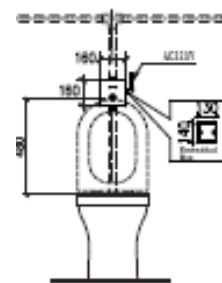
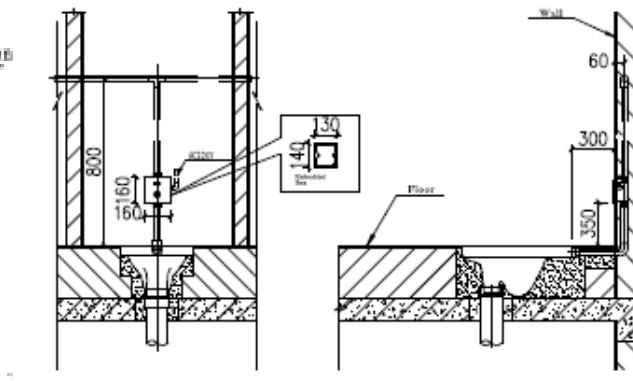
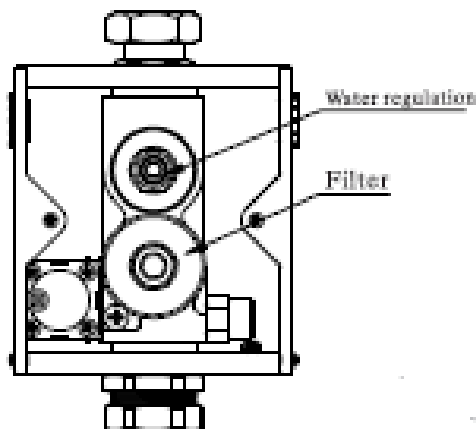
Water Pressure: 0.05Mpa-0.7Mpa

Sensor circle: > 500,000 circles

Water Inlet: G1" (DN25)

Environment Temperature: 1-55 Degree celsius

Advantages: stop valve @ valve body



TECE 

close to you