

Schmied



PRODUCT SPECIFICATIONS

Urinal Sensor (AC & DC) With Manual Override LED Button

Dimension: 128mm X 128mm

Material: Hairline 304 Stainless Steel

Working Power: AC220V/DC6V

Water Pressure: 0.1-0.7Mpa

Sensing Distance: 35-65cm(adjustable)

Water Inlet: G1/2" (DN15)

Concealed Box dimension:

121*110*75mm

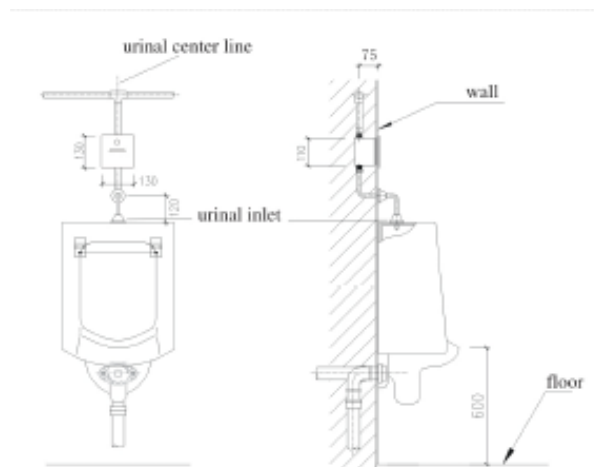
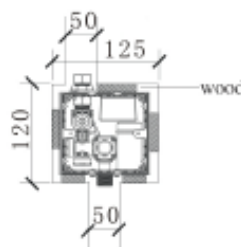
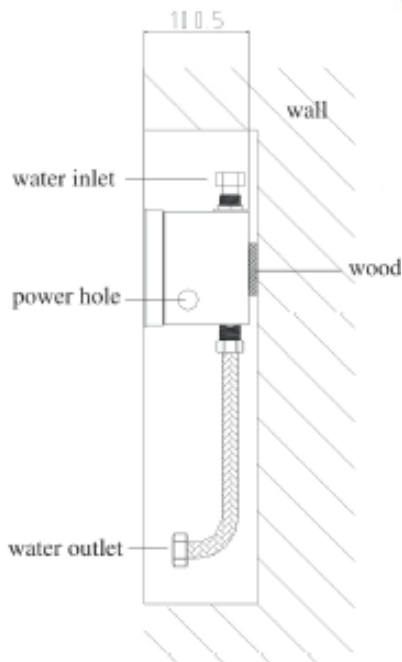
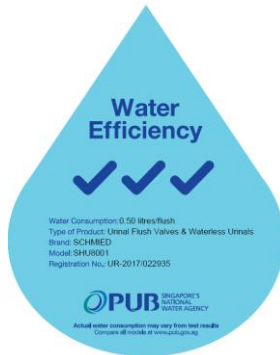
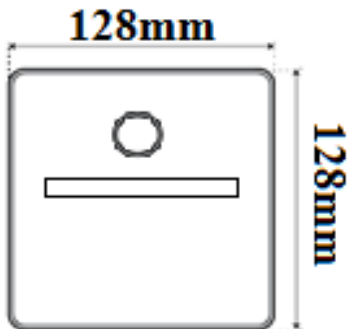
Water Flow: 2-5L/Flush time(0.3Mpa)

Advantage: DC battery holder is included for backup if AC supply cuts off.

(Required 4XAA size alkaline battery.

Batteries not included.)

TECHNICAL SPECIFICATIONS



upper inlet