

TECE SOUTH-EAST ASIA PTE LTD

# TECE Drain System Proposal & Specification

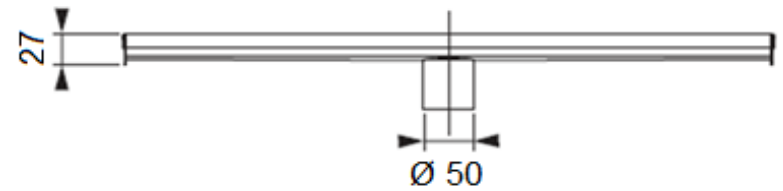
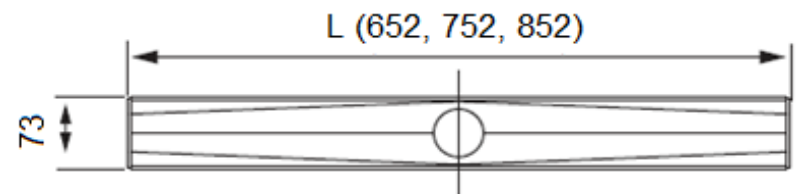
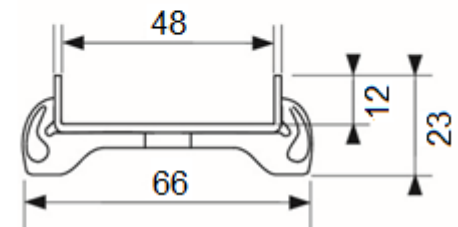
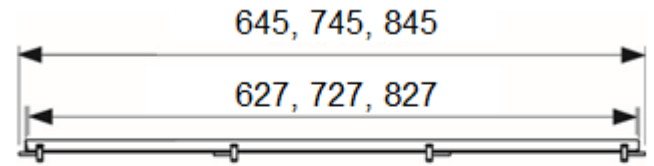
# **TECEshowerline Stainless-Steel Channel & Reversible Grate**

## TECEshowerline – Dual Design Grating Introduction



Introducing the new TECEshowerline with 2 in 1 grating. The grating is design for 2 aesthetic outlook allowing dual use as a tile insert grate or stainless-steel design grate. The shower channel comes as a set with the channel body, dual design grating, an odour trap and hair trap.

# TECEshowerline – Channel & Grate Dimensions



## TECEshowerline – Product Details

Product Code	Nominal Length	Total Length	Visible Length after installed
15201070	700	652	652
15201080	800	752	752
15201090	900	852	852

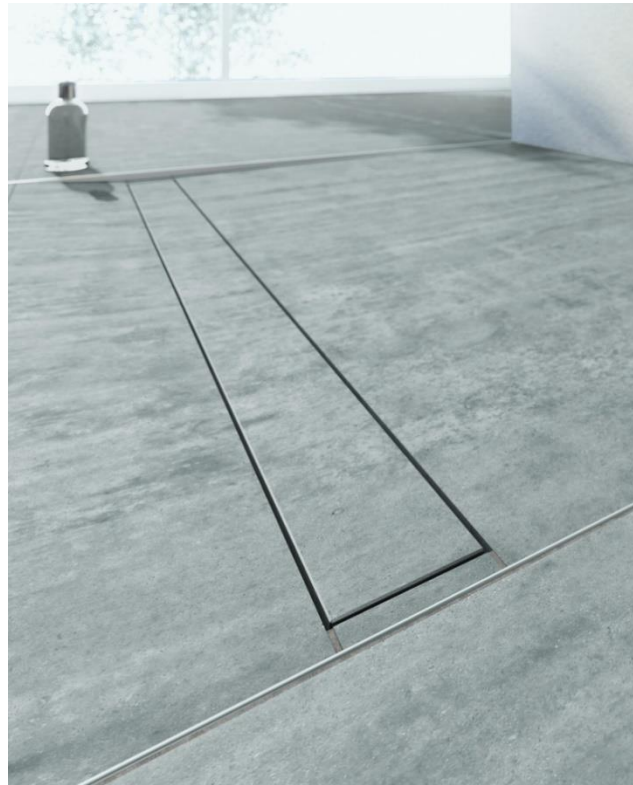
Straight stainless-steel channel body for installation in the screed, for direct connection to a standard PVC 50mm drainpipe.

Consisting of:

- Channel body made of polished stainless steel, material 1.4301 (304)
- Central channel support
- Internal incline for improved water drainage and self-cleaning effect
- Reversible grating for tile insert grate or stainless-steel design grate
- Hair trap to prevent possible hair & debris
- Odour trap to prevent vermins & nasty odour from waste pipe
- Drainage capacity with the odour trap > 0,8 l/s

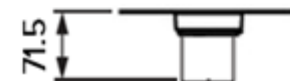
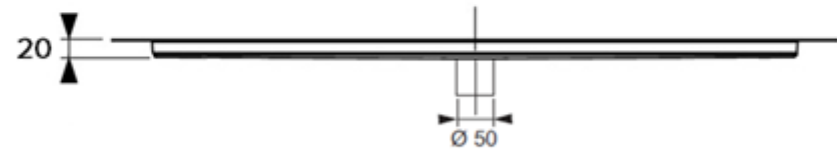
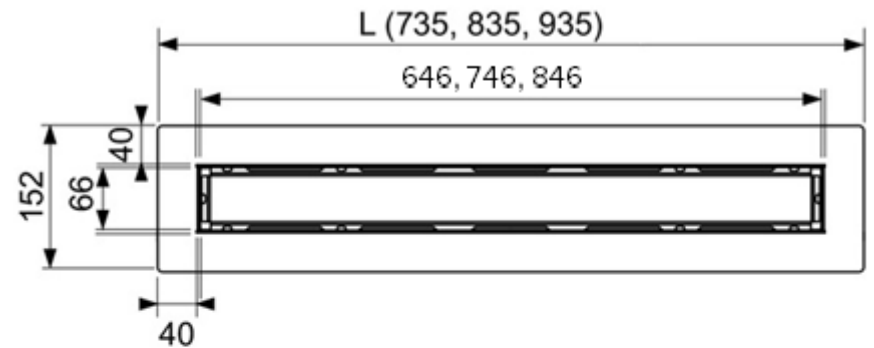
# **TECEshowerline Stainless-Steel Channel for Natural stone**

## TECEshowerline for Natural Stone – Introduction



Introducing the new TECEshowerline for natural stone. The shower channel is design for a frameless installation giving the bathroom an amazing aesthetic outlook. The shower channel comes as a set with the channel body, dual design grating, an odour trap and hair trap.

# TECEshowerline for Natural Stone – Channel & Grate Dimensions





## TECEshowerline for Natural Stone – Product Details

Product Code	Nominal Length	Total Length	Visible Length after installed
15201072	700	735	646
15201082	800	835	746
15201092	900	935	846

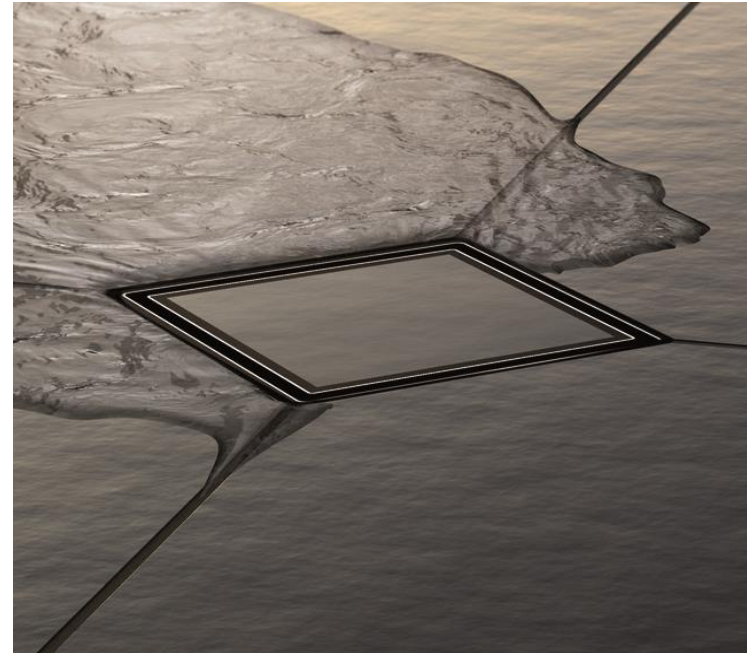
Straight stainless-steel channel body for installation in the screed, for direct connection to a standard PVC 50mm drainpipe.

Consisting of:

- Channel body made of polished stainless steel, material 1.4301 (304)
- Central channel support
- Internal incline for improved water drainage and self-cleaning effect
- Stainless-steel grating for natural stone installation
- Hair trap to prevent possible hair & debris
- Odour trap to prevent vermins & nasty odour from waste pipe
- Drainage capacity with the odour trap > 0,8 l/s

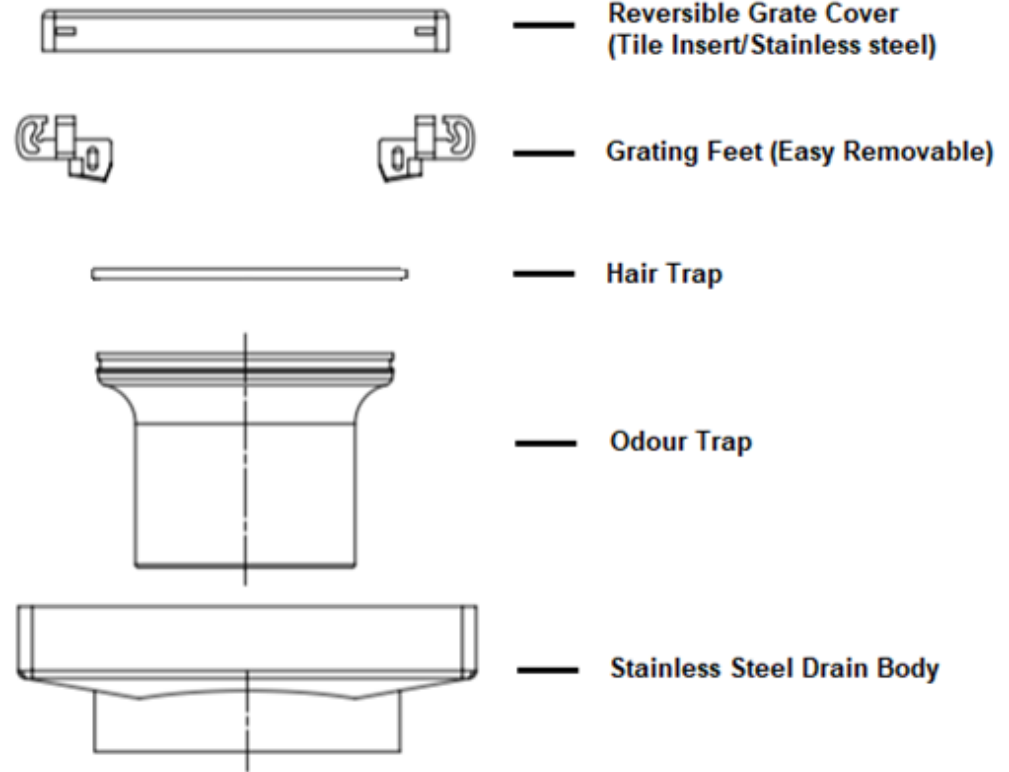
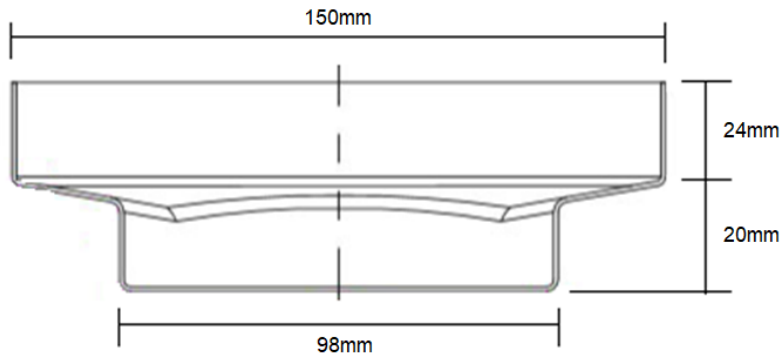
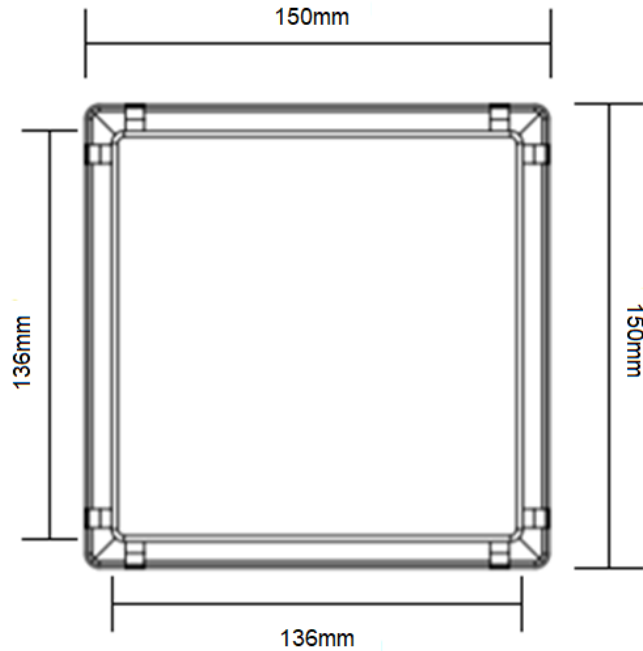
# **TECEshowerpoin Stainless-Steel Channel & Reversible Grate**

## TECEshowerpoint – Dual Design Floor Grating Introduction



Introducing the new TECEshowerpoint with 2 in 1 grating. The grating is design for 2 aesthetic outlook allowing dual use as a tile insert grate or stainless-steel design grate. The shower channel comes as a set with the stainless-steel body, dual design grating, an odour trap and hair trap for both 100mm & 50mm diameter drainpipe connection.

# TECE showerpoint for 100mm drainpipe – CN01590200 Dimensions



## TECEshowerline for 100mm drainpipe – CN01590200 Product Details

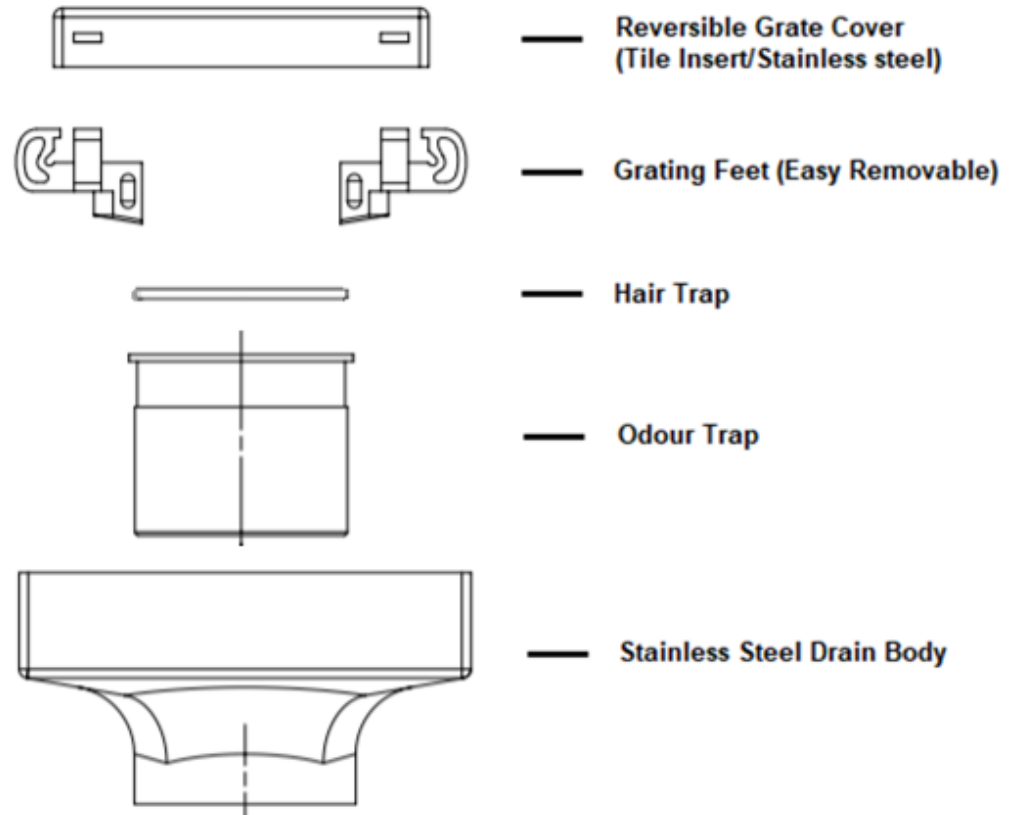
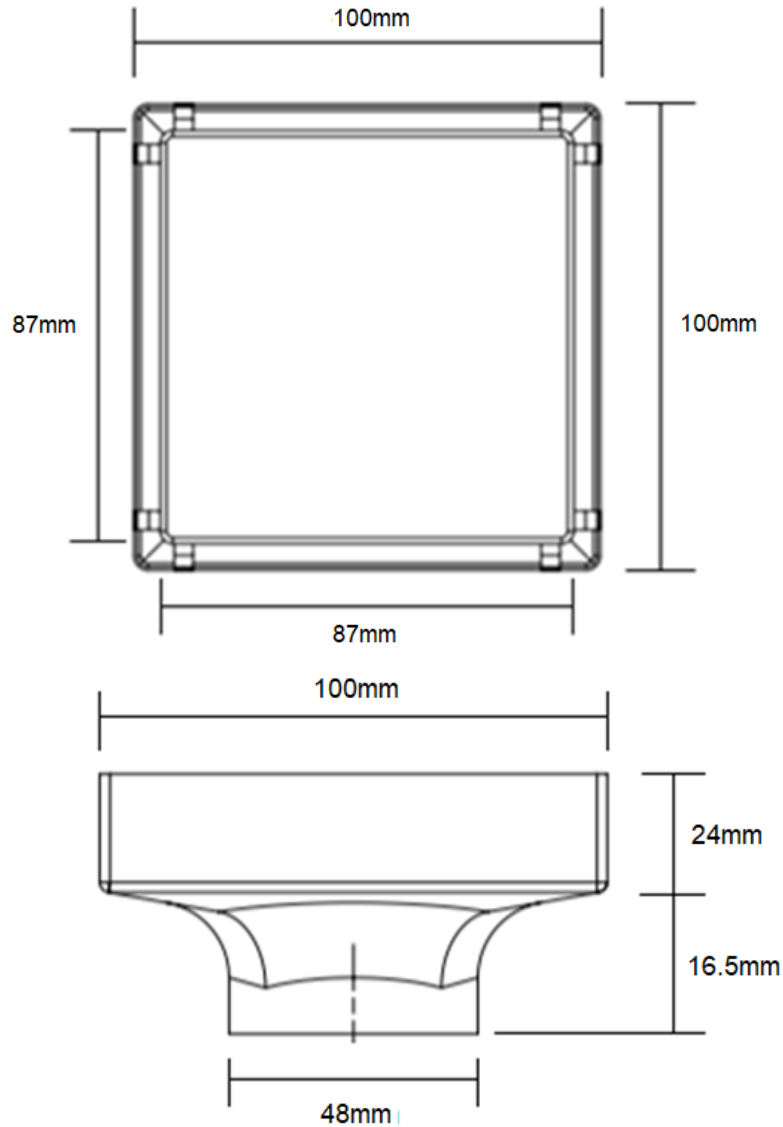
Product Code	Nominal Dimension	Total Dimension	Visible dimension of grate
CN01590100	150 x 150	150 x 150	137 x 137

Stainless-steel floor trap body for installation in the screed, direct connection to a standard PVC 100mm drainpipe.

Consisting of:

- Floor trap body made of polished stainless steel, material 1.4301 (304)
- Central channel support
- Internal incline for improved water drainage and self-cleaning effect
- Reversible grating for tile insert grate or stainless-steel design grate
- Hair trap to prevent possible hair & debris
- Odour trap to prevent vermins & nasty odour from waste pipe
- Drainage capacity with the odour trap > 0,9 l/s

# TECE showerpoint for 50mm drainpipe – CN01590400 Dimensions



## TECEshowerline for 50mm drainpipe – CN01590400 Product Details

Product Code	Nominal Dimension	Total Dimension	Visible dimension of grate
CN01590300	100 x 100	100 x 100	87 x 87

Stainless-steel floor trap body for installation in the screed, direct connection to a standard PVC 50mm drainpipe.

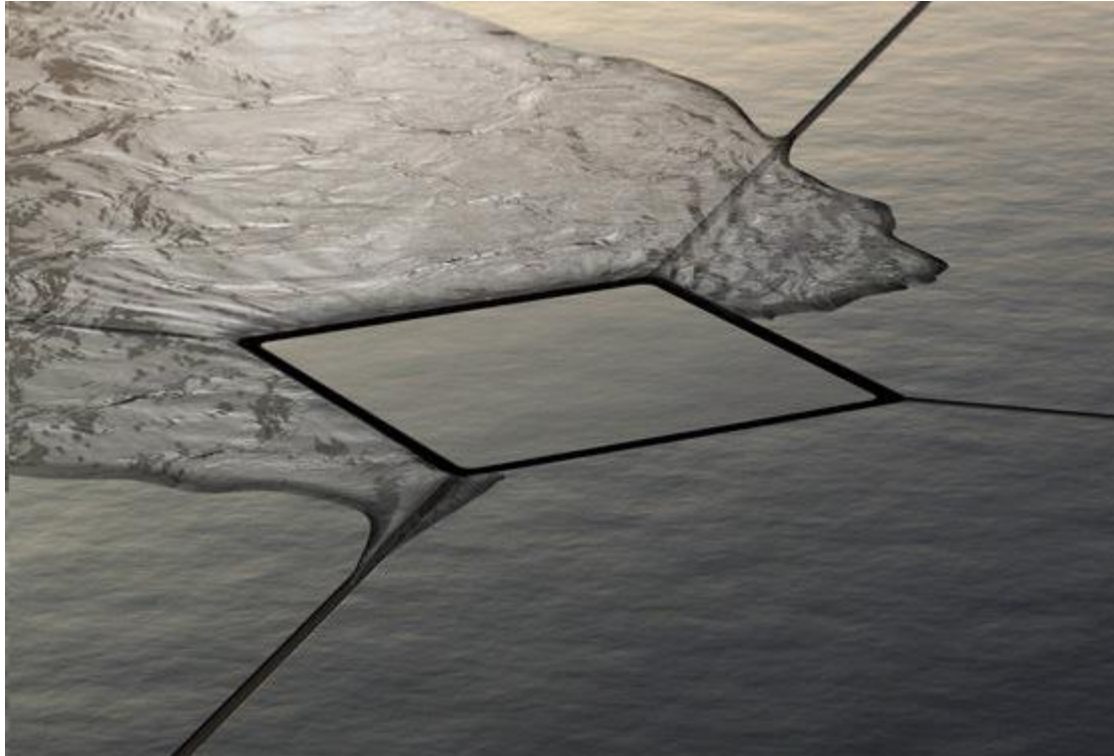
Consisting of:

- Floor trap body made of polished stainless steel, material 1.4301 (304)
- Central channel support
- Internal incline for improved water drainage and self-cleaning effect
- Reversible grating for tile insert grate or stainless-steel design grate
- Hair trap to prevent possible hair & debris
- Odour trap to prevent vermins & nasty odour from waste pipe
- Drainage capacity with the odour trap > 0,8 l/s

# **TECEshowerpoin Stainless-Steel Channel for Natural stone**

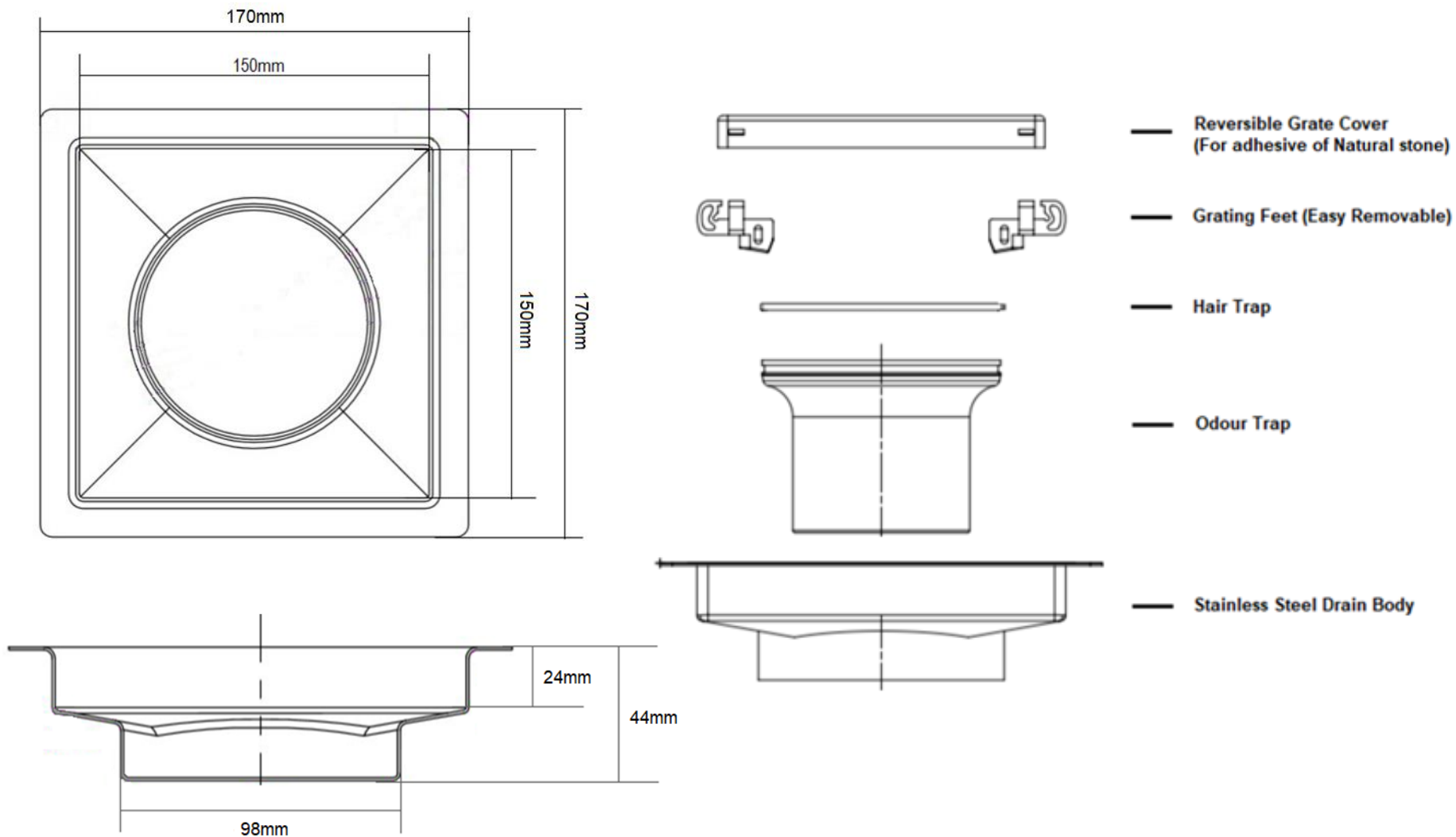


## TECEshowerpoint for Natural Stone – Introduction



Introducing the new TECEshowerpoint for natural stone. The floor grate is design for a frameless installation giving the bathroom an amazing aesthetic outlook. The shower channel comes as a set with the stainless-steel body, dual design grating, an odour trap and hair trap for both 100mm & 50mm diameter drainpipe connection.

## TECE showerpoint for 100mm drainpipe – CN01590100 Dimensions



## TECEshowerline for 100mm drainpipe – CN01590100 Product Details

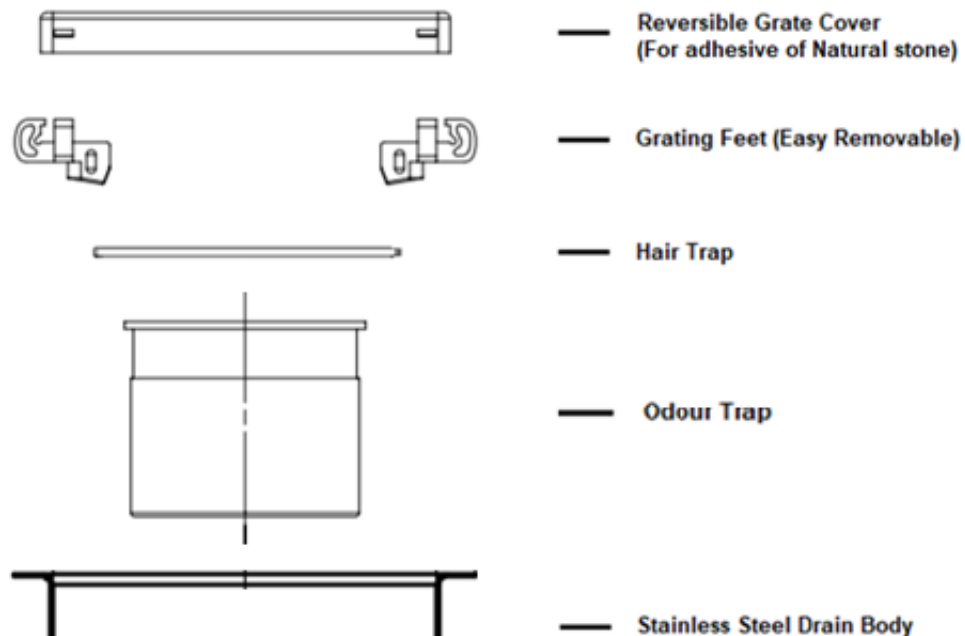
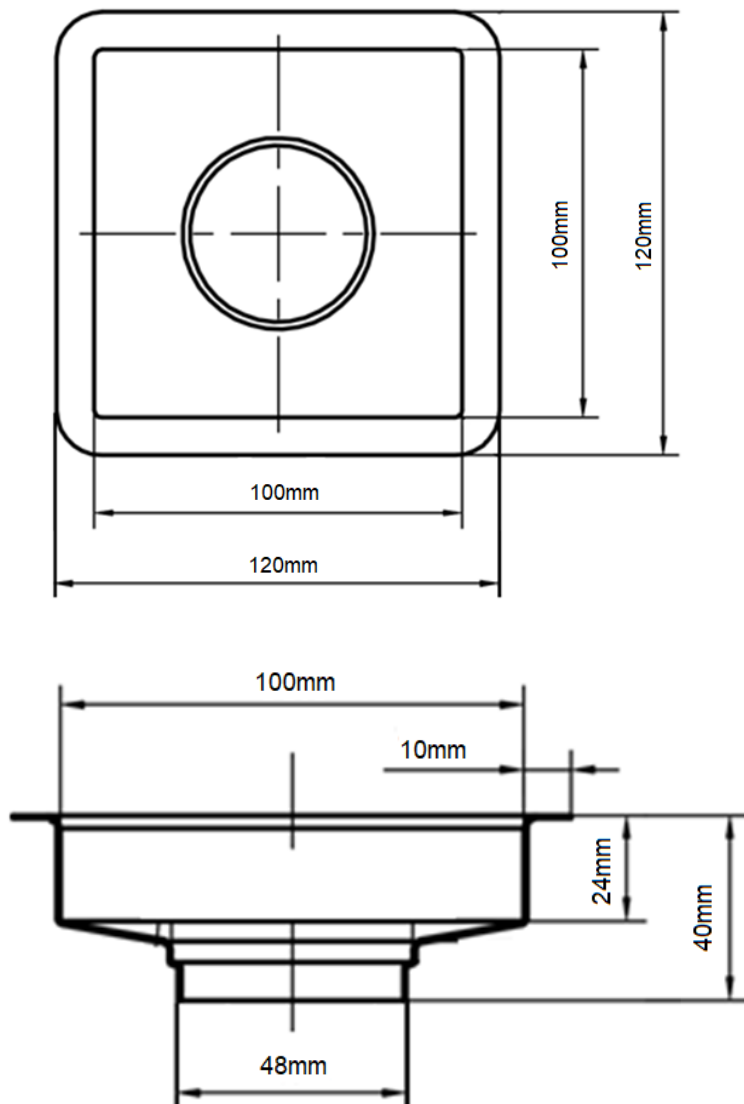
Product Code	Nominal Dimension	Total Dimension	Visible dimension of grate
CN01590100	150 x 150	170 x 170	136 x 136

Stainless-steel floor trap body for installation in the screed, direct connection to a standard PVC 100mm drainpipe.

Consisting of:

- Floor trap body made of polished stainless steel, material 1.4301 (304)
- Central channel support
- Internal incline for improved water drainage and self-cleaning effect
- Stainless-steel grating for natural stone installation
- Hair trap to prevent possible hair & debris
- Odour trap to prevent vermins & nasty odour from waste pipe
- Drainage capacity with the odour trap > 0,9 l/s

## TECE showerpoint for 50mm drainpipe – CN01590300 Dimensions



## TECEshowerline for 50mm drainpipe – CN01590300 Product Details

Product Code	Nominal Dimension	Total Dimension	Visible dimension of grate
CN01590300	100 x 100	120 x 120	86 x 86

Stainless-steel floor trap body for installation in the screed, direct connection to a standard PVC 50mm drainpipe.

Consisting of:

- Floor trap body made of polished stainless steel, material 1.4301 (304)
- Central channel support
- Internal incline for improved water drainage and self-cleaning effect
- Stainless-steel grating for natural stone installation
- Hair trap to prevent possible hair & debris
- Odour trap to prevent vermins & nasty odour from waste pipe
- Drainage capacity with the odour trap > 0,8 l/s

**TECE**   
close to you