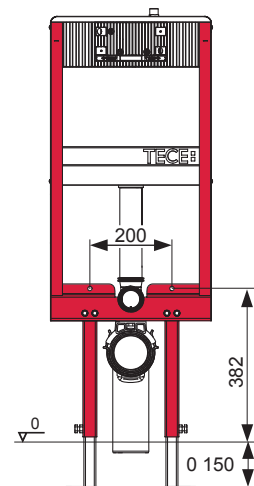
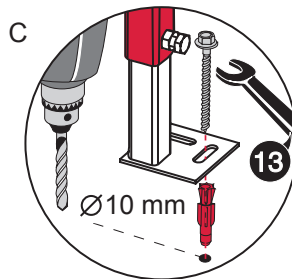
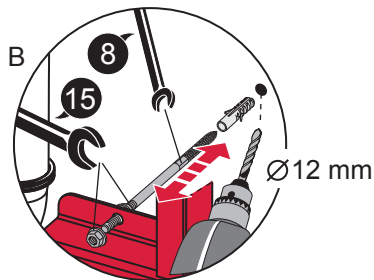
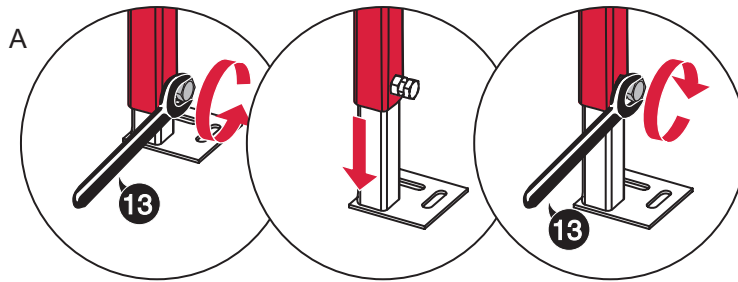
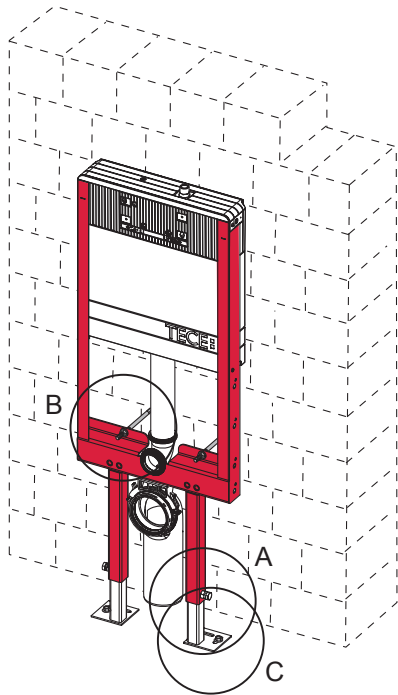
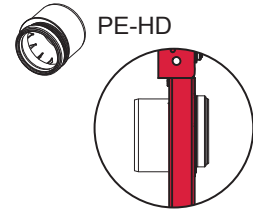
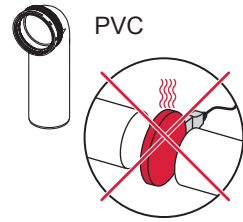
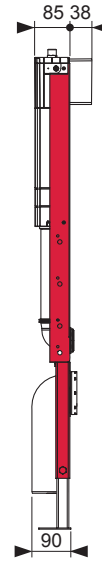
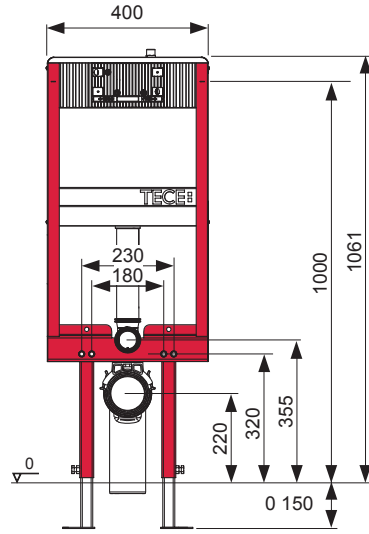
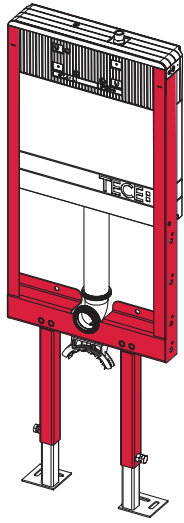
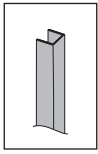


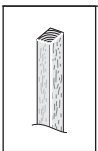
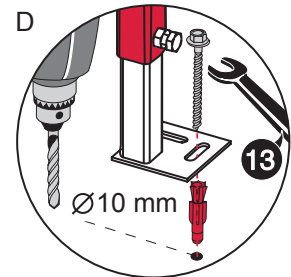
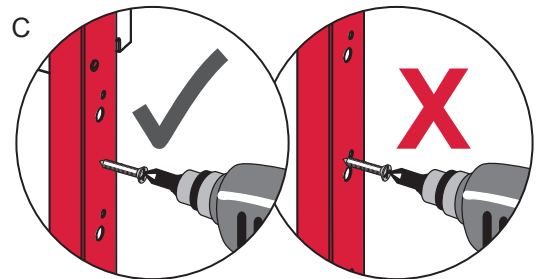
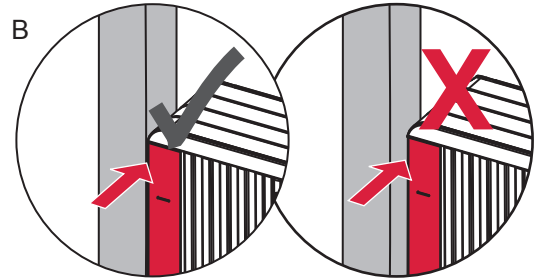
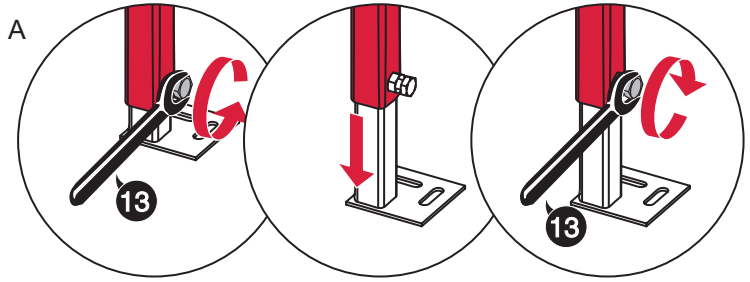
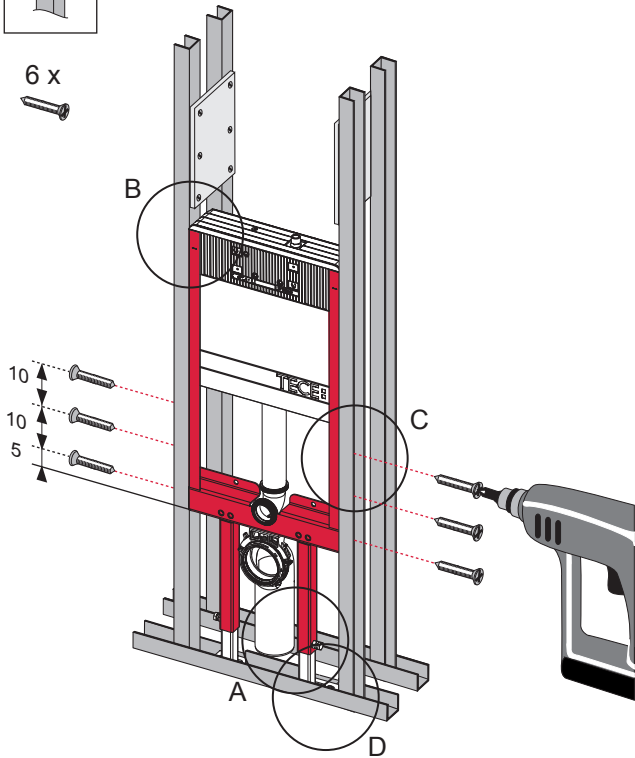
# TECEcompact – 9 500 100



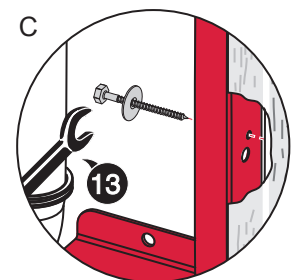
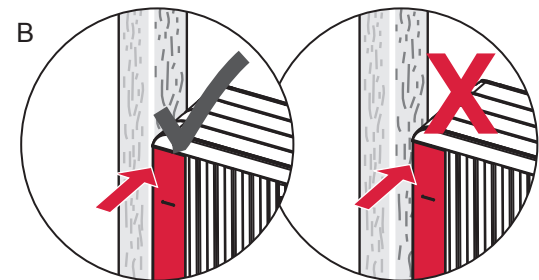
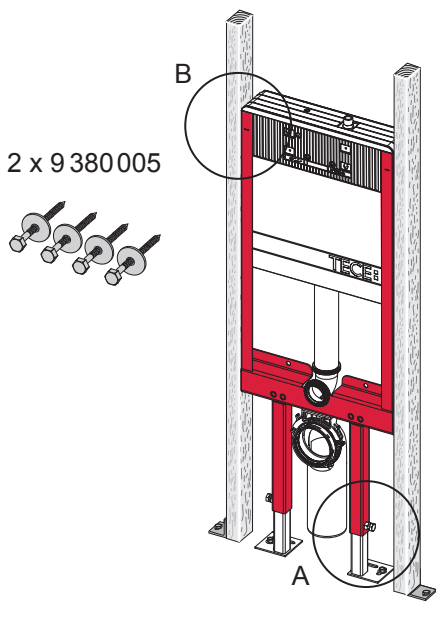
# TECEcompact – 9 500 100



6 x

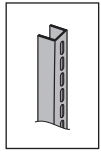


2 x 9 380 005

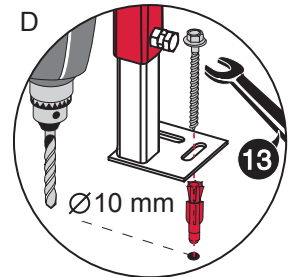
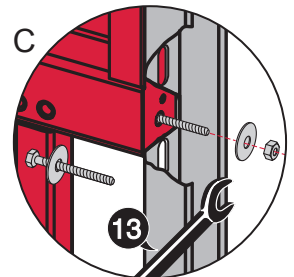
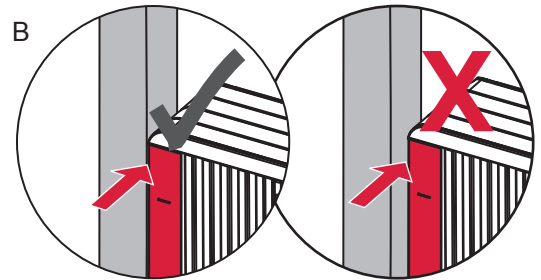
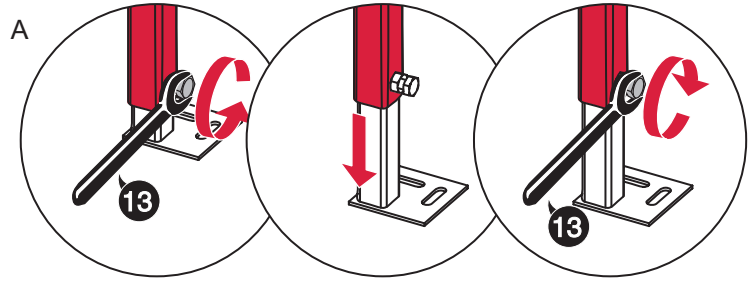
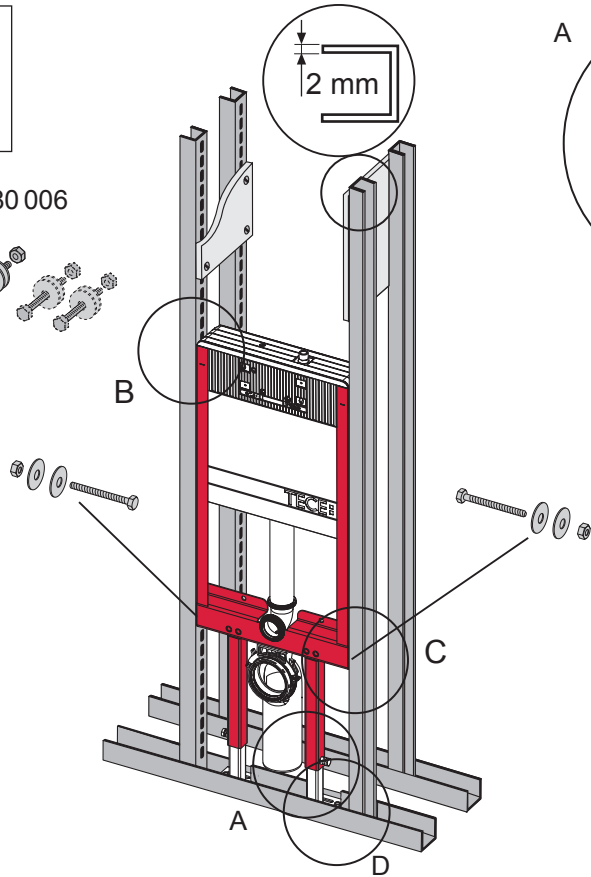
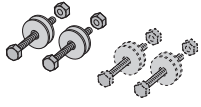


**TECE**

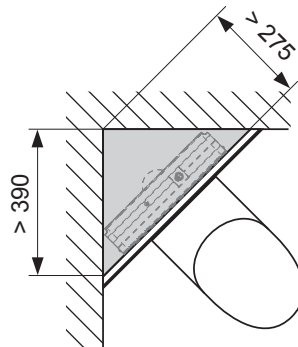
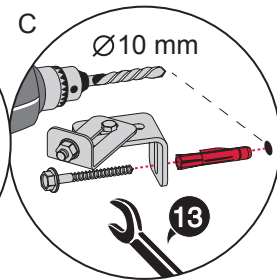
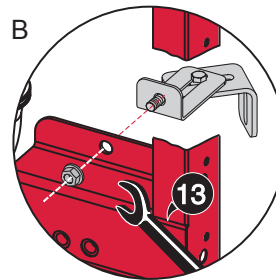
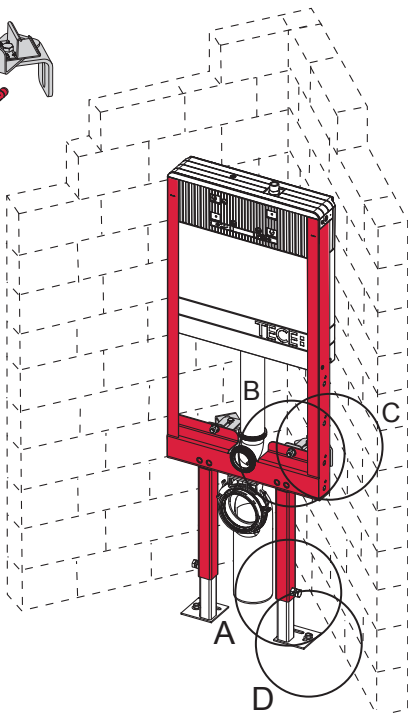
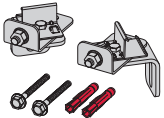
# TECEcompact – 9 500 100



9 380 006

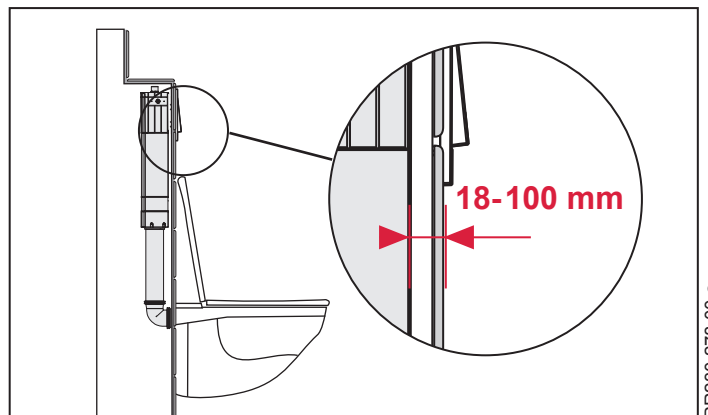
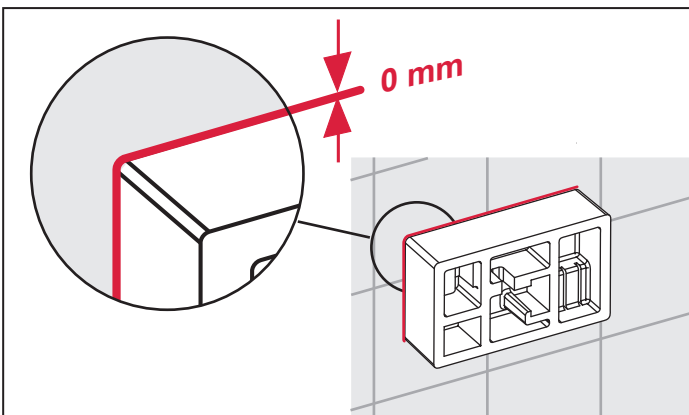
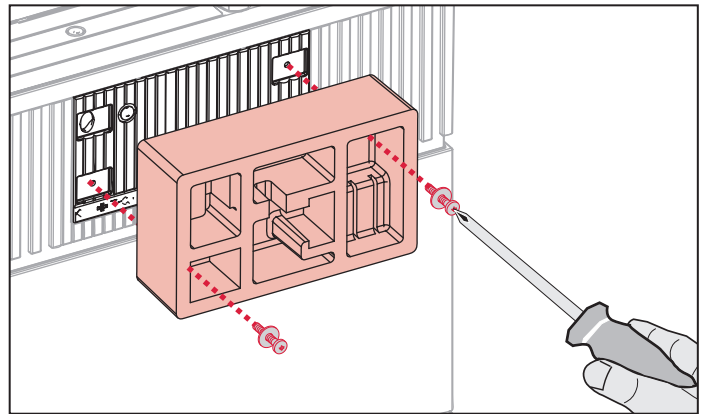
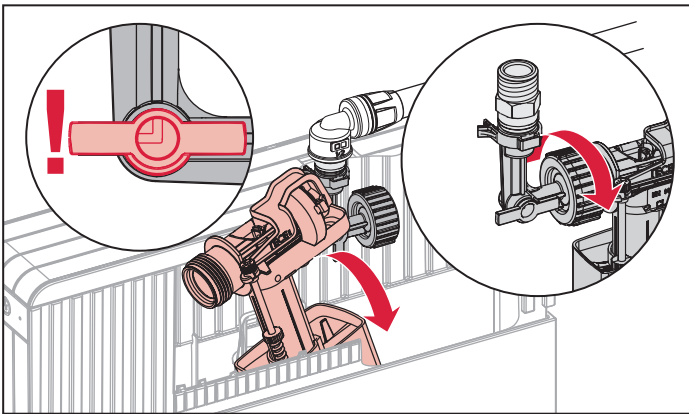
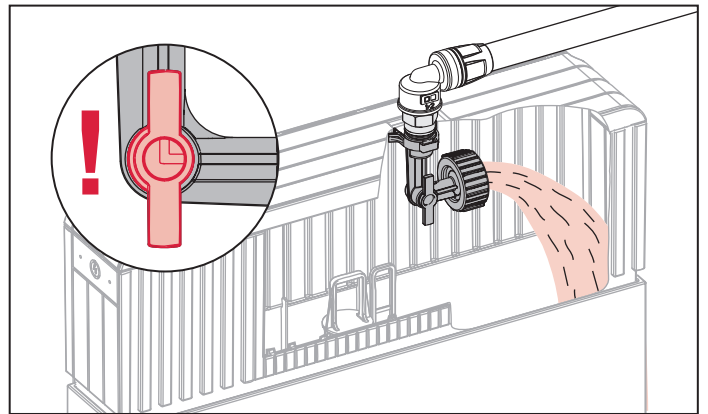
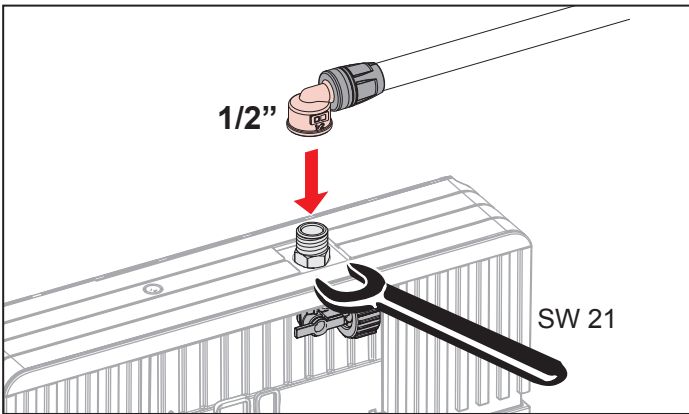
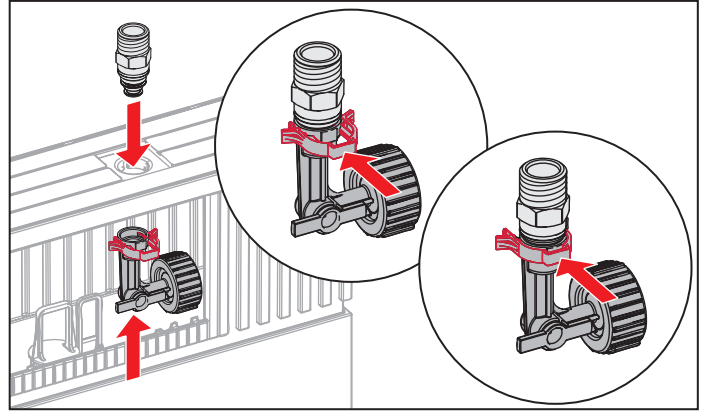
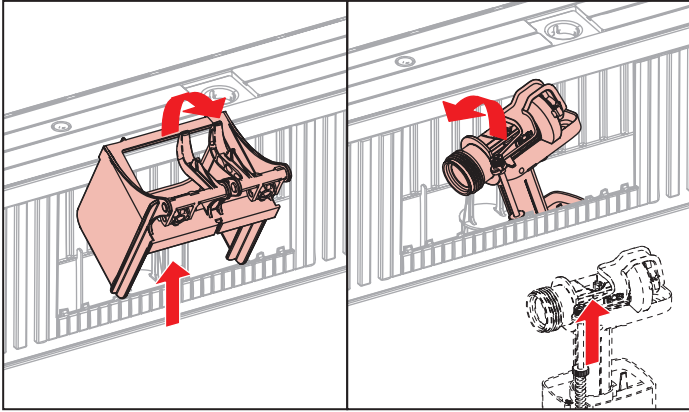


9 380 003



**TECE**

# TECEcompact – 9 500 100



PR230 278 00 a

# TECE